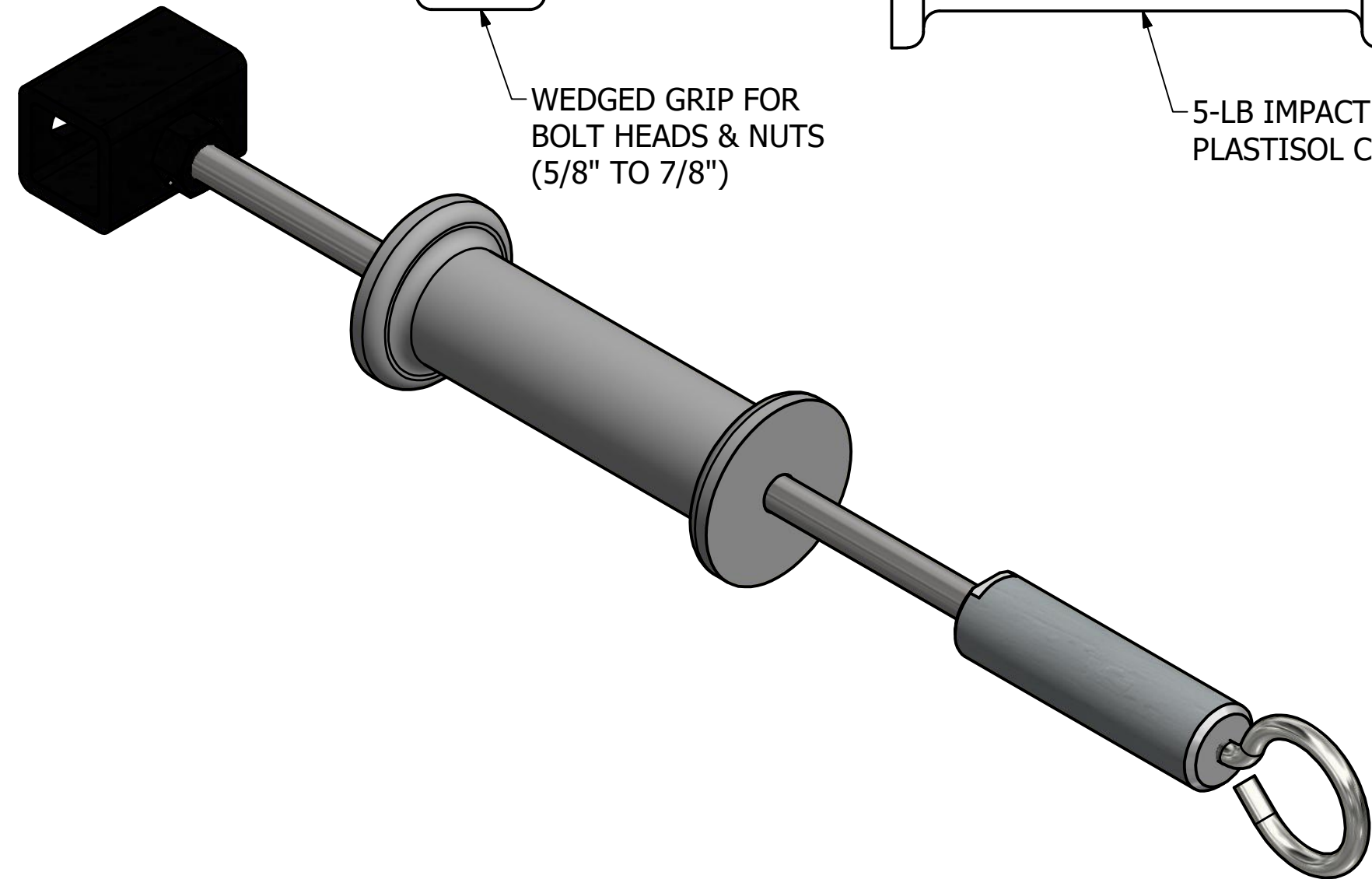


WEDGED GRIP FOR BOLT HEADS & NUTS (5/8" TO 7/8")

5-LB IMPACT WEIGHT PLASTISOL COATED

ALUMINUM IMPACT ANVIL

ZINC PLATED STEEL HOOK FOR HANDLING



CHANCE [®]		HUBBELL [®] POWER SYSTEMS, INC.	
CONFIDENTIAL: THIS DRAWING AND ITS CONTENTS ARE CONFIDENTIAL AND THE EXCLUSIVE PROPERTY OF HUBBELL POWER SYSTEMS. NO PUBLICATION, DISTRIBUTION, OR COPIES MAY BE MADE WITHOUT THE WRITTEN CONSENT OF HUBBELL POWER SYSTEMS. HUBBELL POWER SYSTEMS UNPUBLISHED ALL RIGHTS RESERVED UNDER THE COPYRIGHT LAWS.		TITLE DA BOLT PULLER SA DWG	
SIZE B	CAT / PART / ASSY NO. PSC4012783	DWG NO. SA4012783	REV A
DO NOT SCALE THIS DRAWING	DRN BY RAM	DATE 11/5/18	SHEET 1 OF 1