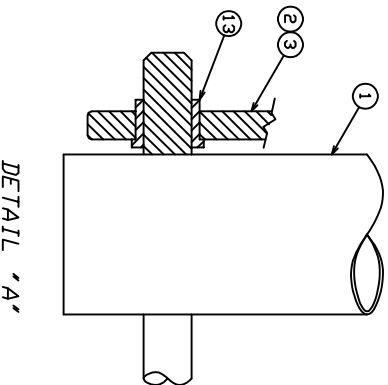
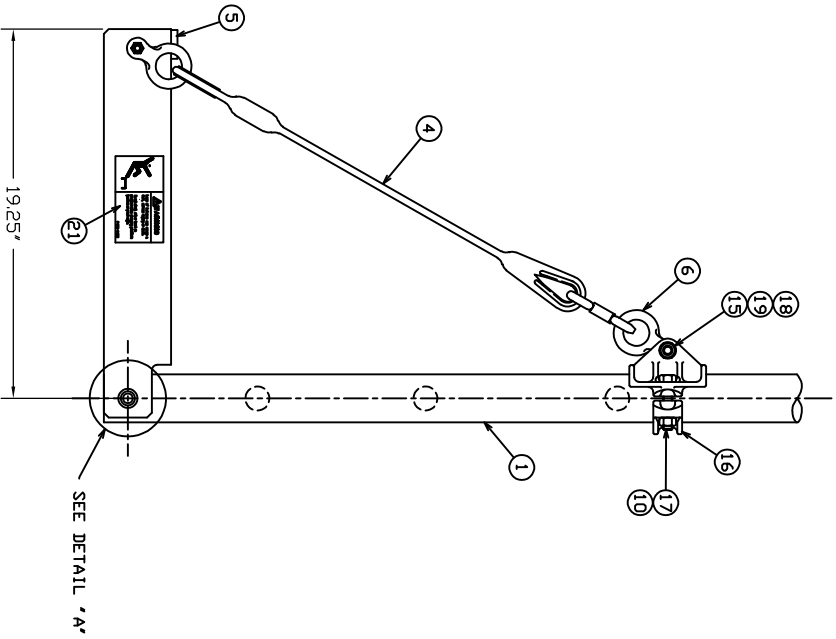
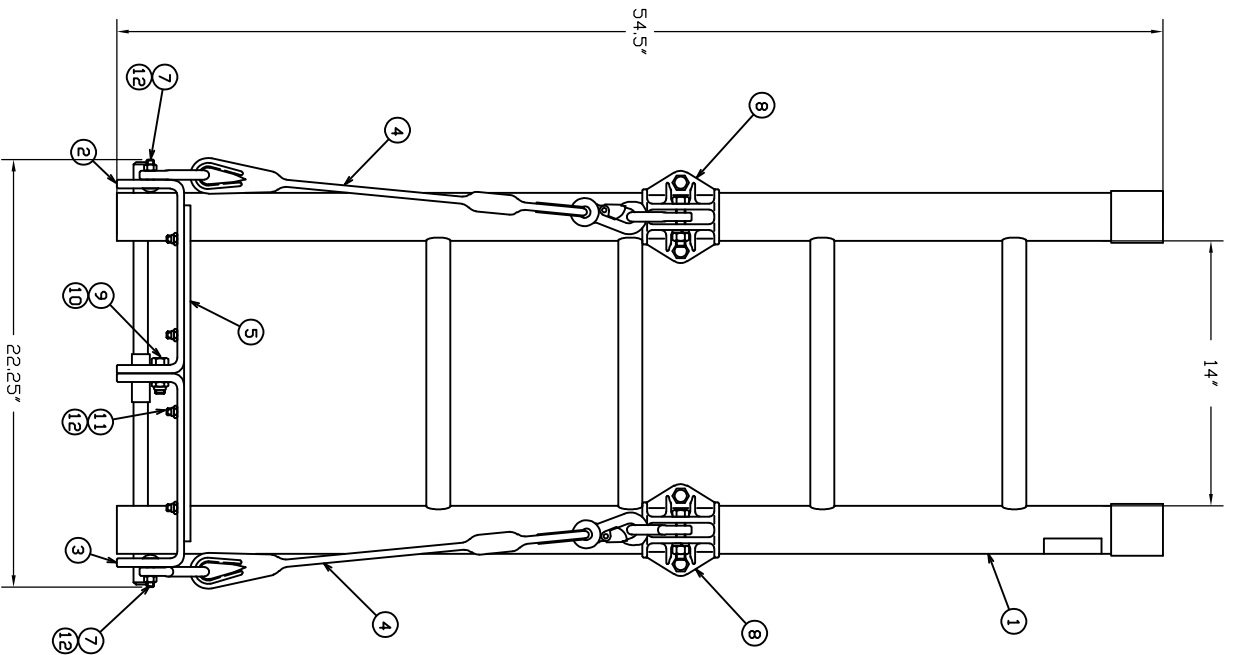


PART NUMBER	ITEM	PART DESCRIPTION	QTY
E402-0278	1	LADDER	1
640355	2	BOOM PLATFORM HALF (RH)	1
640356	3	BOOM PLATFORM HALF (LH)	1
070468	4	BRACE ROPE	2
640358	5	TOE BOARD	1
W400-0221	6	SOLID RING	2
055340	7	CARR BOLT, 3/8-16 X 1.50	2
640594	8	CLAMP HALF	2
058490	9	HHCS, 1/2-13 X 1.50 LG	4
058950	10	CONELDK NUT, 1/2-13UNC	8
059601	11	MACH SCR, 3/8-16 X 1.25	4
059440	12	3/8-16UNC CONELDK NUT	6
P402-0740	13	DILITE BEARING	2
PSE4021260	14	TARP STRAP	1
058557	15	HEX BOLT 1/2-13 X 2.25	2
640591	16	CLAMP CAP	2
P0011409	17	HEX BOLT, 1/2-13 X 2.75	4
062512	18	HEX NUT, 1/2-13UNC-2B	2
056587	19	LOCKWASHER, 1/2 MED	2



**CHANCE TOLERANCE CHART**

**HUBBEL POWER SYSTEMS**

**BOOM PLATFORM LADDER**

COMPENDIUM: THIS DRAWING AND ITS CONTENTS ARE CONFIDENTIAL AND THE INFORMATION CONTAINED HEREIN IS UNCLASSIFIED. NO REPRODUCTION, DISTRIBUTION, OR DISSEMINATION OF THIS INFORMATION IS PERMITTED WITHOUT THE WRITTEN PERMISSION OF HUBBEL POWER SYSTEMS. UNLESS OTHERWISE INDICATED, ALL RIGHTS RESERVED UNDER THE COPYRIGHT LAWS.

TITLE	BOOM PLATFORM LADDER
SIZE	DWG NO. SA402-0276
C	REV / PART / ASSY NO. SA402-0276
DO NOT SCALE	DRN BY: HLB
THIS DRAWING	DATE: 3/4/2024
	SHEET 1 OF 1