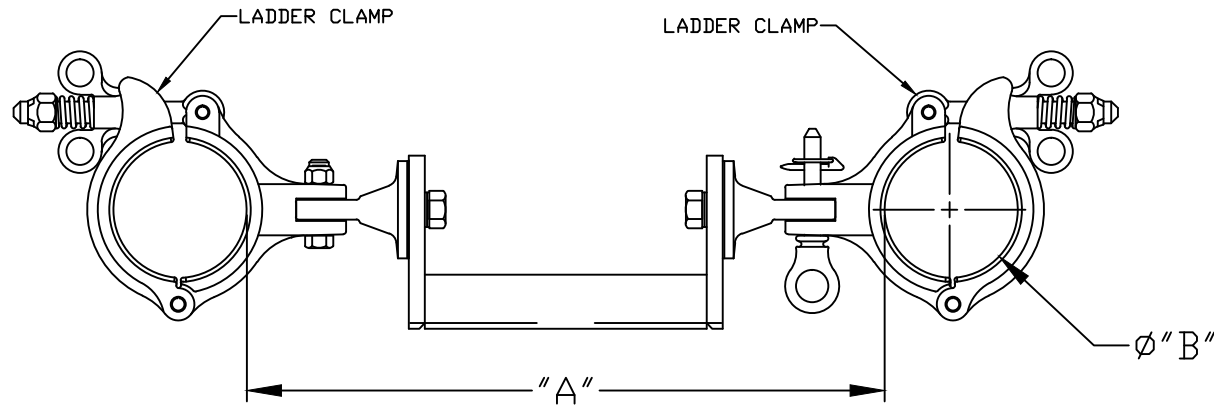


CHART			
CATALOG NO.	DESCRIPTION	"A"	"B"
E4020568	YOKE ASSEMBLY	14-1/2"	2-1/2"
PSE4020569	YOKE ASSEMBLY	15-1/2"	2"



WHICH YOKE TO USE FOR WHICH LADDER TYPE			
LADDER TYPE:	HEAVY-DUTY HOOK LADDERS (2-1/2" SIDE RAILS)	SPLICED HEAVY-DUTY HOOK LADDERS (2-1/2" SIDE RAILS)	THREE-RAILED LADDERS (2" SIDE RAILS)
YOKE PART NUMBER:	E4020568	E4020568	PSE4020569
LADDER CLAMP USED:	M47413	M47413	M47412
LADDER PART NUMBERS:	H49058	C4020482	C4020119
	H490510	C4020402	C4020512
	H490512	C4020404	C4020513
	H490514	C4020407	C4020514
	H490516	C4020411	
	H490518	T4020423	
	H490520	C4020418	
		C4020421	
		C4020422	

CHANCE



HUBBELL POWER SYSTEMS

TITLE
LADDER YOKE

CONFIDENTIAL: THIS DRAWING AND ITS CONTENTS ARE CONFIDENTIAL AND THE EXCLUSIVE PROPERTY OF HUBBELL POWER SYSTEMS. NO PUBLICATION, DISTRIBUTION OR COPIES MAY BE MADE WITHOUT THE WRITTEN CONSENT OF HUBBELL POWER SYSTEMS. HUBBELL POWER SYSTEMS UNPUBLISHED ALL RIGHTS RESERVED UNDER THE COPYRIGHT LAWS.

SIZE	DWG NO.	CAT / PART / ASSY NO.	REV
B	SA402-0568	SEE CHART	--
DO NOT SCALE THIS DRAWING	DRN BY RAM	DATE 5/4/15	SHEET 1 OF 1