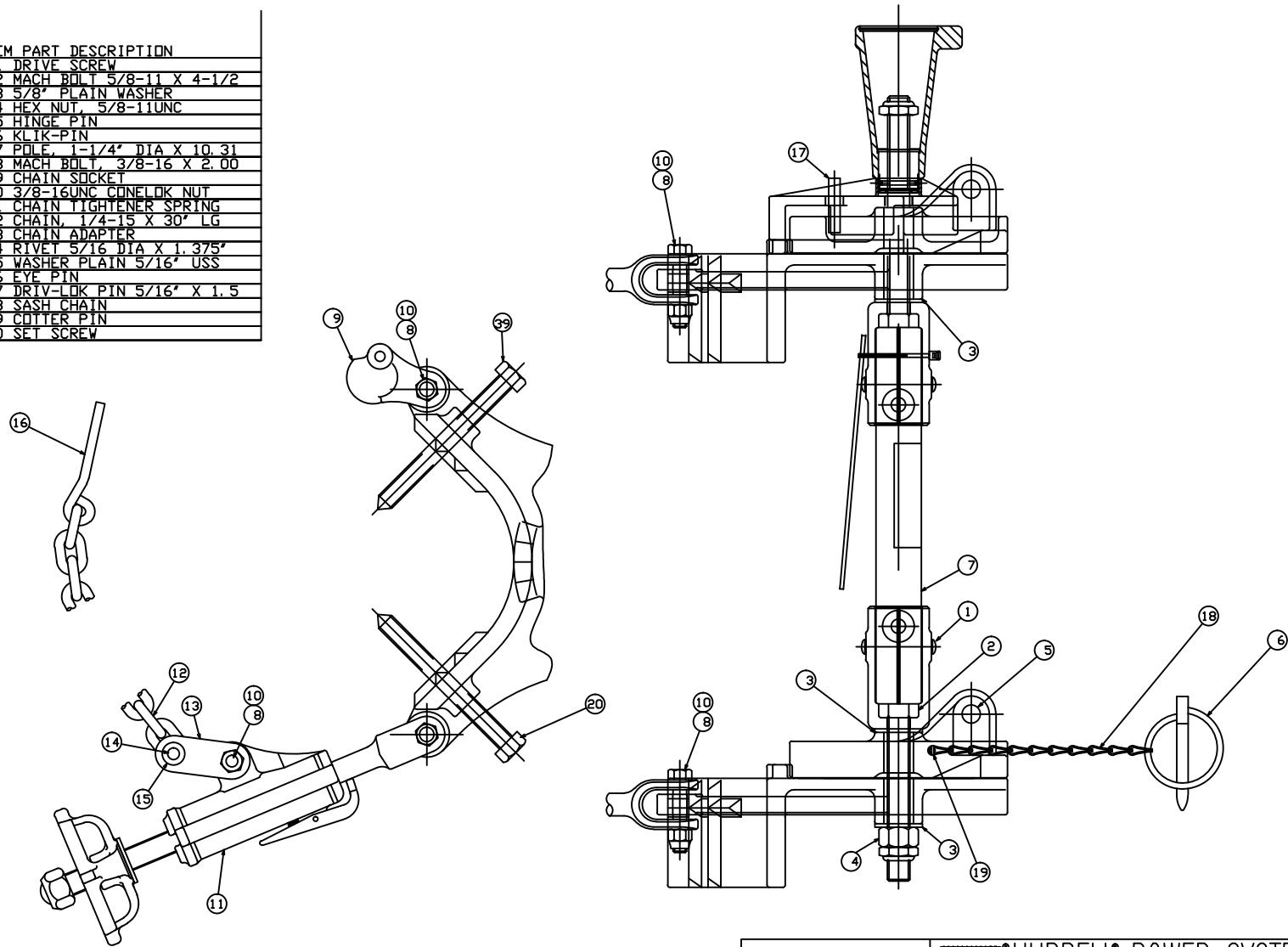



PART NUMBER	ITEM	PART DESCRIPTION
P001-0779P	1	DRIVE SCREW
058571P	2	MACH BOLT 5/8-11 X 4-1/2
019212P	3	5/8" PLAIN WASHER
066658P	4	HEX NUT 5/8-11UNC
70535P	5	HINGE PIN
059738P	6	KLIK-PIN
P402-1171P	7	POLE 1-1/4" DIA X 10.31
058545P	8	MACH BOLT 3/8-16 X 2.00
P402-0778P	9	CHAIN SOCKET
059440P	10	3/8-16UNC CONELOCK NUT
070358P	11	CHAIN TIGHTENER SPRING
068057P	12	CHAIN, 1/4-15 X 30" LG
068652P	13	CHAIN ADAPTER
P001-0087P	14	RIVET 5/16 DIA X 1.375"
058977P	15	WASHER PLAIN 5/16" USS
P400-2362P	16	EYE PIN
055909P	17	DRIV-LOK PIN 5/16" X 1.5
059045P	18	SASH CHAIN
066688P	19	COTTER PIN
P001-0175P	20	SET SCREW



 HUBBELL POWER SYSTEMS <small>POWER SYSTEMS, INC.</small>		TITLE		
		PIVOT ATTACHMENT 4'		
<small>CONFIDENTIAL: THIS DRAWING AND ITS CONTENTS ARE CONFIDENTIAL AND THE EXCLUSIVE PROPERTY OF HUBBELL POWER SYSTEMS. NO PUBLICATION, DISTRIBUTION OR COPIES MAY BE MADE WITHOUT THE WRITTEN CONSENT OF HUBBELL POWER SYSTEMS. HUBBELL POWER SYSTEMS UNPUBLISHED ALL RIGHTS RESERVED UNDER THE COPYRIGHT LAWS.</small>	SIZE	DWG NO.	CAT / PART / ASSY NO.	REV
	C	--	C402-1164	--
DO NOT SCALE THIS DRAWING	DRN BY RAM	DATE 09/10/12	SHEET 01 OF 01	