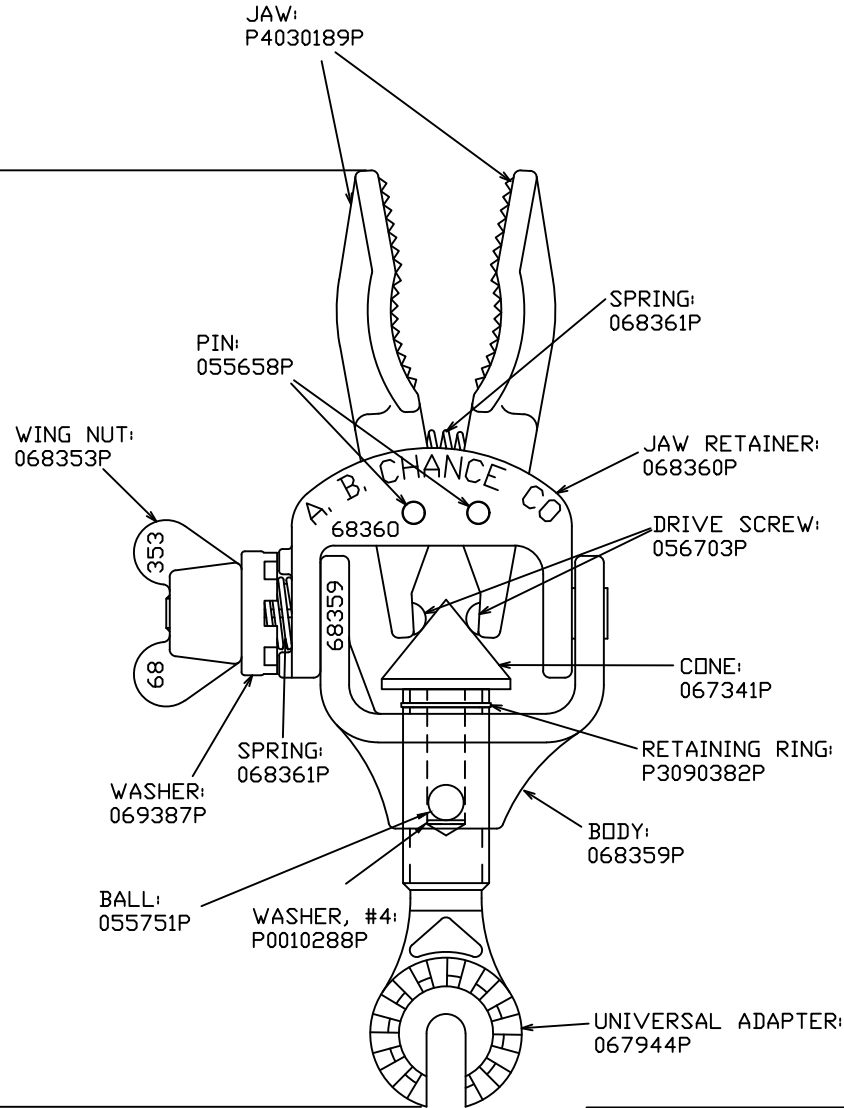


8.2" (208 mm)



CHANCE  
TOLERANCE CHART



HUBBELL® POWER SYSTEMS

TITLE

PLIERS,  
ALL ANGLE

CONFIDENTIAL: THIS DRAWING AND ITS CONTENTS ARE CONFIDENTIAL AND THE EXCLUSIVE PROPERTY OF HUBBELL POWER SYSTEMS. NO PUBLICATION, DISTRIBUTION OR COPIES MAY BE MADE WITHOUT THE WRITTEN CONSENT OF HUBBELL POWER SYSTEMS. HUBBELL POWER SYSTEMS UNPUBLISHED ALL RIGHTS RESERVED UNDER THE COPYRIGHT LAWS.

SIZE	DWG NO.	CAT / PART / ASSY NO.	REV
C	SA403-0177	C403-0177	A
DO NOT SCALE THIS DRAWING	DRN BY RAM	DATE 7/6/18	SHEET 1 OF 1