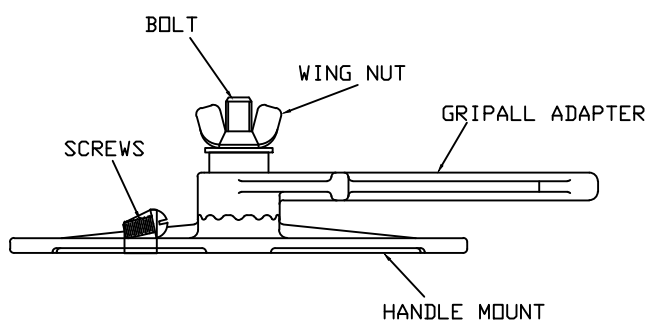


GRIPALL ADAPTER REPLACEMENT KIT:  
PSC4032879



MATERIAL: ORANGE POLYETHYLENE  
TESTED PER ASTM F712 CLASS 4  
36.6 kV PHASE-TO-PHASE  
MAX CONDUCTOR SIZE: 666 kcmil ACSR

<small>CONFIDENTIAL: THIS DRAWING AND ITS CONTENTS ARE CONFIDENTIAL AND THE EXCLUSIVE PROPERTY OF HUBBELL POWER SYSTEMS. NO PUBLICATION, DISTRIBUTION OR COPIES MAY BE MADE WITHOUT THE WRITTEN CONSENT OF HUBBELL POWER SYSTEMS. HUBBELL POWER SYSTEMS UNPUBLISHED ALL RIGHTS RESERVED UNDER THE COPYRIGHT LAWS.</small>				<b>HUBBELL POWER SYSTEMS</b>	
		TITLE <b>COVER, CONDUCTOR</b>			
SIZE <b>B</b>	DWG NO. <b>SA4060514GA</b>	CAT / PART / ASSY NO. <b>C4060514GA</b>		DO NOT SCALE THIS DRAWING	DRN BY RAM
		DATE 1/24/14	SHEET 1 OF 1		