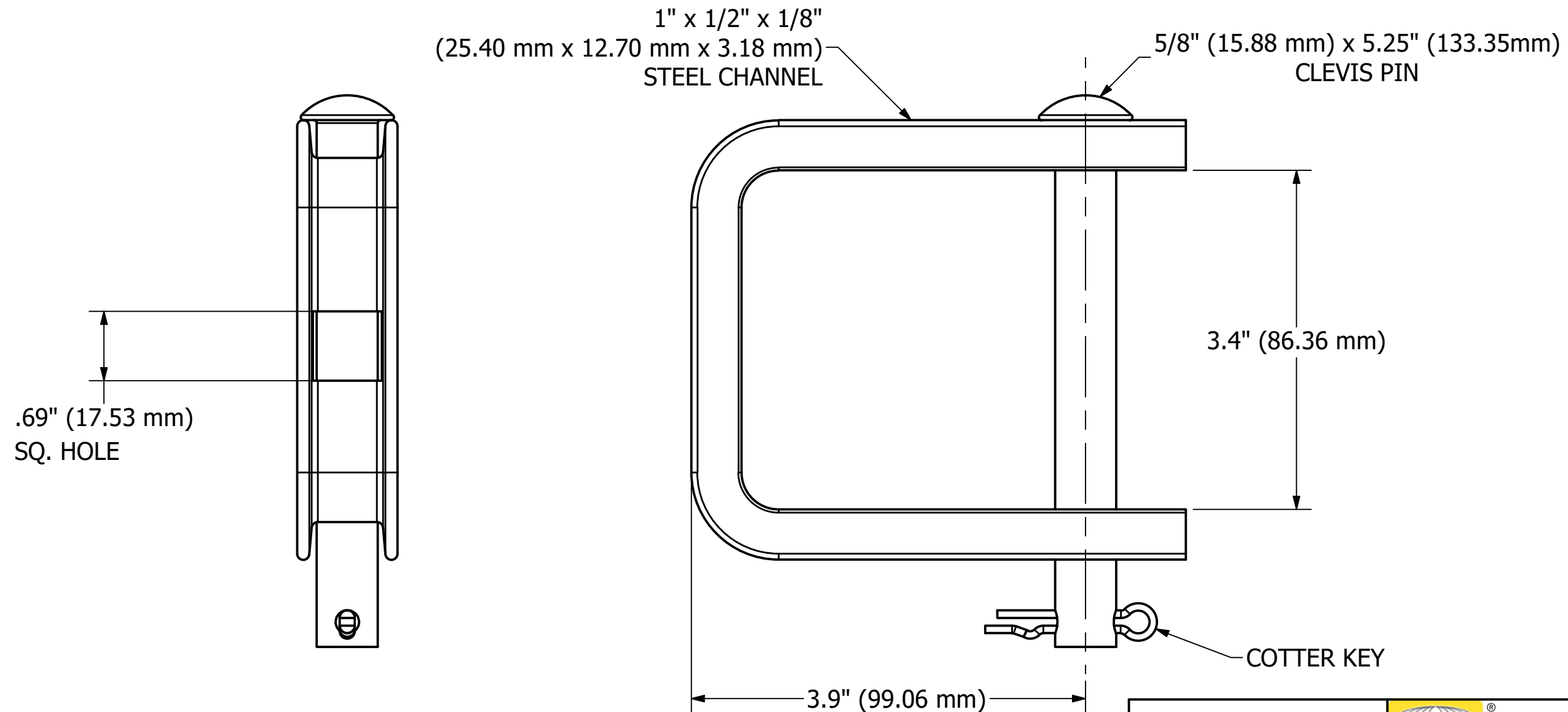
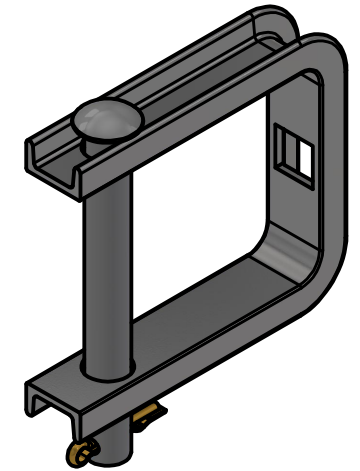


NOTES

1. MATERIAL: HOT ROLLED STEEL CHANNEL PER ASTM A36
2. FINISH: HOT DIP GALVANIZE PER ASTM A153
3. CATALOG NUMBERS WITH A "USA" SUFFIX (EX. 468USA) HAVE ALL COMPONENTS MELTED/MANUFACTURED IN THE USA.



CATALOG NUMBER 468

CHANCE [®]		HUBBELL [®] POWER SYSTEMS, INC.	
CONFIDENTIAL: THIS DRAWING AND ITS CONTENTS ARE CONFIDENTIAL AND THE EXCLUSIVE PROPERTY OF HUBBELL POWER SYSTEMS. NO PUBLICATION, DISTRIBUTION, OR COPIES MAY BE MADE WITHOUT THE WRITTEN CONSENT OF HUBBELL POWER SYSTEMS. HUBBELL POWER SYSTEMS UNPUBLISHED ALL RIGHTS RESERVED UNDER THE COPYRIGHT LAWS.		TITLE INSULATOR CLEVIS	
SIZE B	CAT / PART / ASSY NO. 468	DWG NO. SA468	REV F
DO NOT SCALE THIS DRAWING	DRN BY MRG	DATE 10/26/18	SHEET 1 OF 1