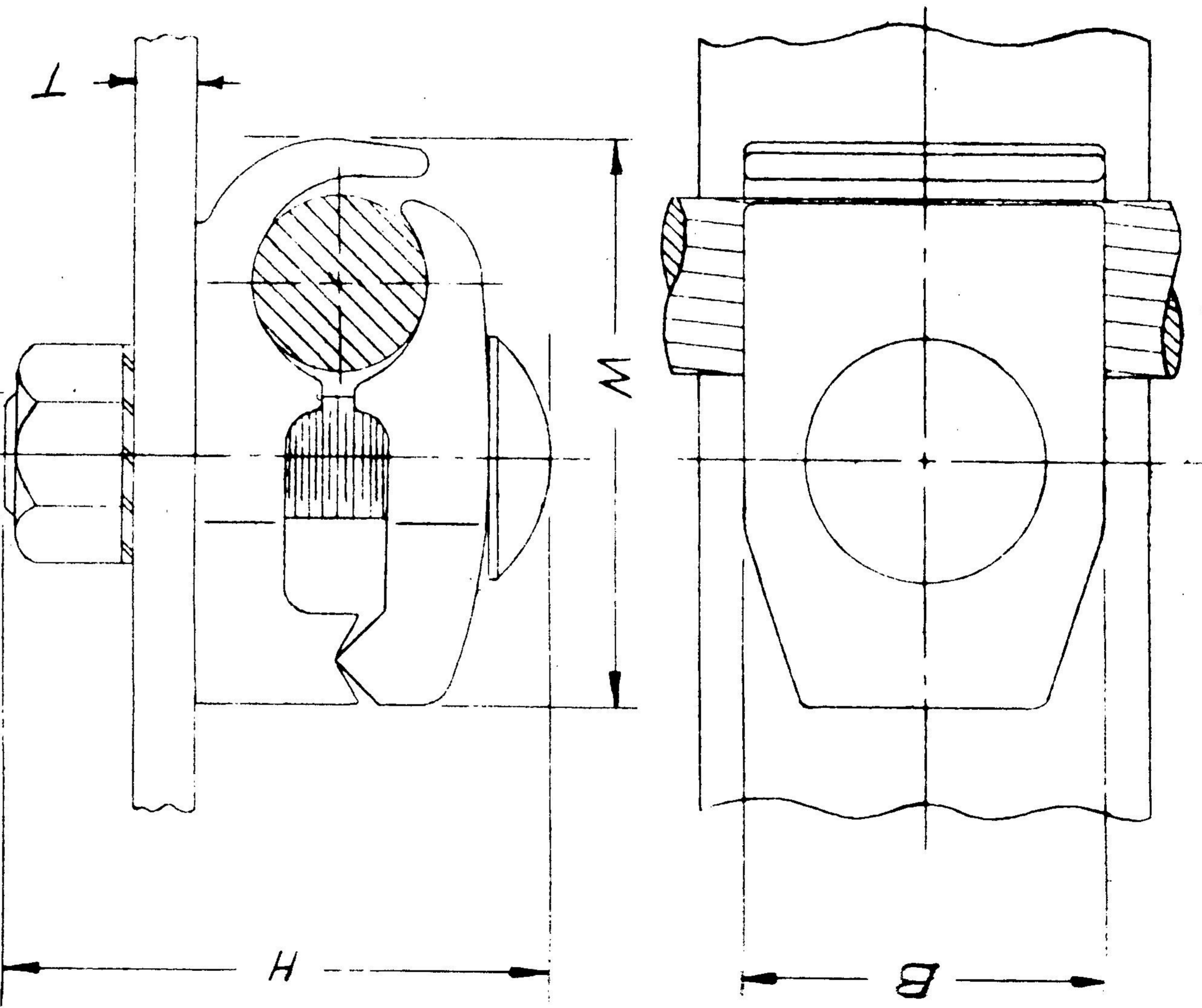


FD. 418

NOTE: THIS CONNECTOR IS TIN PLATED



J - DIA. SILICON BRONZE OVAL SHANK BOLT, HEX. NUT & SHPLW.

C.U. CONDUCTOR RANGE		DIMENSIONS						
MIN.	MAX.	CAT. NO.	J	W	H	B	T	
450 L.(204)	2/10 STR.(418)	GB2676	3/8-16x2 1/4 LG.	1.56	2.43	1.06	.75	
450 L.(204)	2/10 STR.(418)	GB2674	3/8-16x2 LG.	1.56	2.18	1.06	.50	
2/0 SOL.(364)	250 MCM(.575)	GB2976	1/2-13x2 1/2 LG.	2.00	2.70	1.44	.75	
300 MCM(.630)	500 MCM(.813)	GB3474	1/2-13x2 3/4 LG.	2.38	2.95	1.50	.50	
2/0 SOL.(364)	250 MCM(.575)	GB2972W	1/2-13x3 1/4 LG.	2.00	3.45	1.44	1.50	

MATERIAL: CAST COPPER ALLOY

GROUND CONNECTOR

CAT. NO. GB - (TABLE)

DRAWN BY P.V.B. 3-2-62 CHECKED BY E.P.D. 3-8-62

DRAWING NO. REV.

BURNBY Corporation
NORWALK, CONNECT.

SAS51114

REV.	DATE	REVISION DESCRIPTION	BY	C.K.D.
1	7-29-63	CAT. NO. GB2674 ADDED	T.A.L.	MTM
2	5-7-65	CAT. NO. GB2976 ADDED (0252-395)	JAN	EPD
3	10-14-68	CAT. NO. GB3474 ADDED (0701-496)	PTH	JPS
4	10-20-71	CAT. NO. GB2972W ADDED (0034318)	CARL	JPS

APPROVED

3-9-62