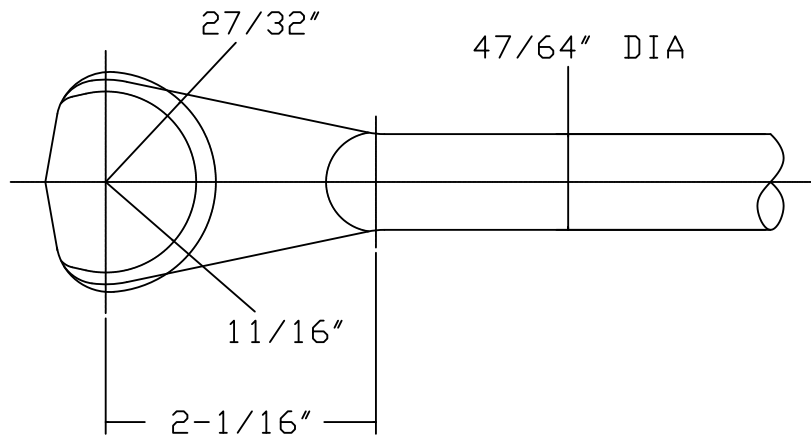
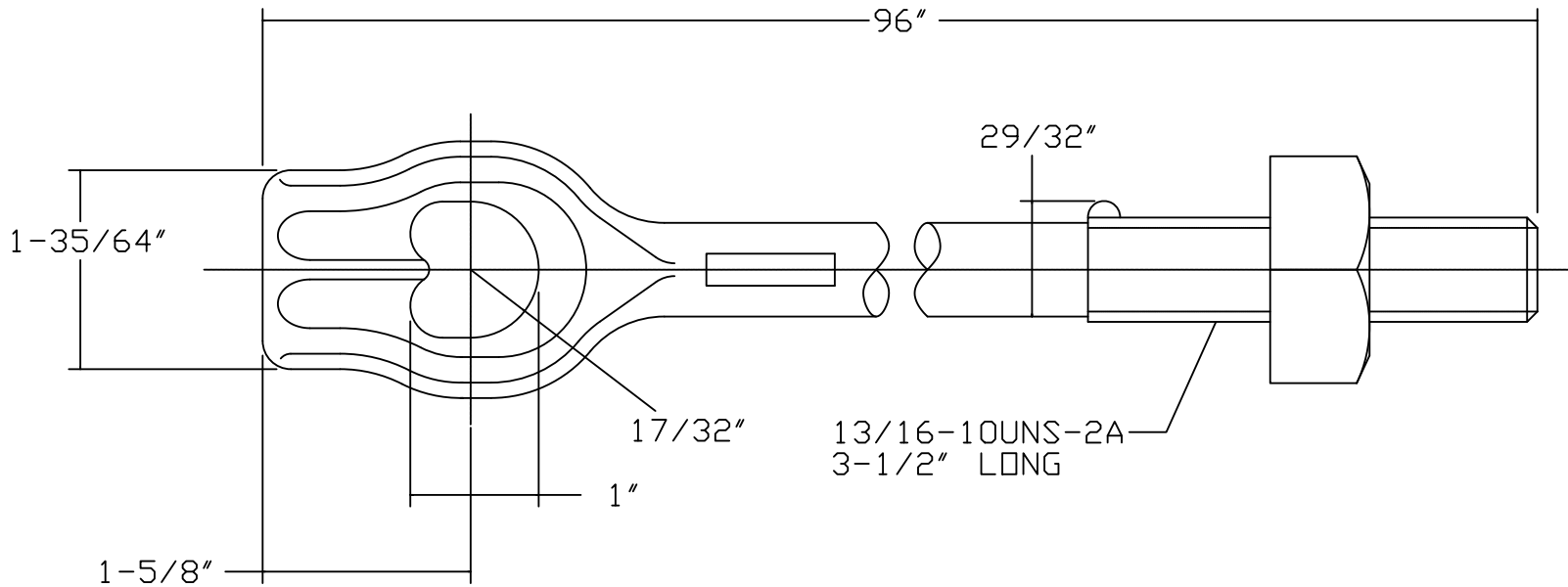


-NOTES-

1. HOT DIP GALV. PER ASTM SPEC. A153 (LATEST REV).
2. ADD USA SUFFIX TO CATALOG NUMBER FOR BUY AMERICA ITEMS. PURCHASERS OF BUY AMERICA ITEMS WILL BE PROVIDED A DATED CERTIFICATE OF COMPLIANCE TO SPECIFIC BUY AMERICA PROVISIONS IF REQUESTED AT THE TIME OF ORDER. CONTACT HUBBELL POWER SYSTEMS CUSTOMER SERVICE FOR DETAILS.



CATALOG NUMBER
5358

LATEST EC NO:	REV.	DATE	CHANGED BY	RESP ENGINEER
--	A	11/19/18	ZRM	BLJ
			DO NOT SCALE THIS DWG	THIRD ANGLE PROJECTION
			ISO DUAL DIMENSIONS IN=INCH. MM=MILLIMETER	

DRN BY:	DATE	THREADED TWINEYE ROD - 3/4"		SIZE
RWS	11/28/88			B




 SA5358

CONFIDENTIAL: THIS DRAWING AND ITS CONTENTS ARE CONFIDENTIAL AND THE EXCLUSIVE PROPERTY OF HUBBELL/A.B. CHANCE COMPANY. NO PUBLICATION, DISTRIBUTION, OR COPIES MAY BE MADE WITHOUT WRITTEN CONSENT BY HUBBELL/A.B. CHANCE COMPANY. © 2000 HUBBELL/A.B. CHANCE. UNPUBLISHED - ALL RIGHTS RESERVED UNDER THE COPYRIGHT LAWS