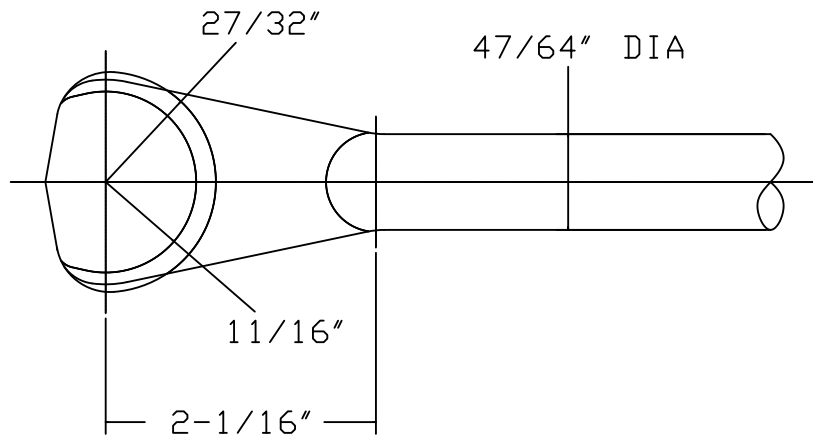
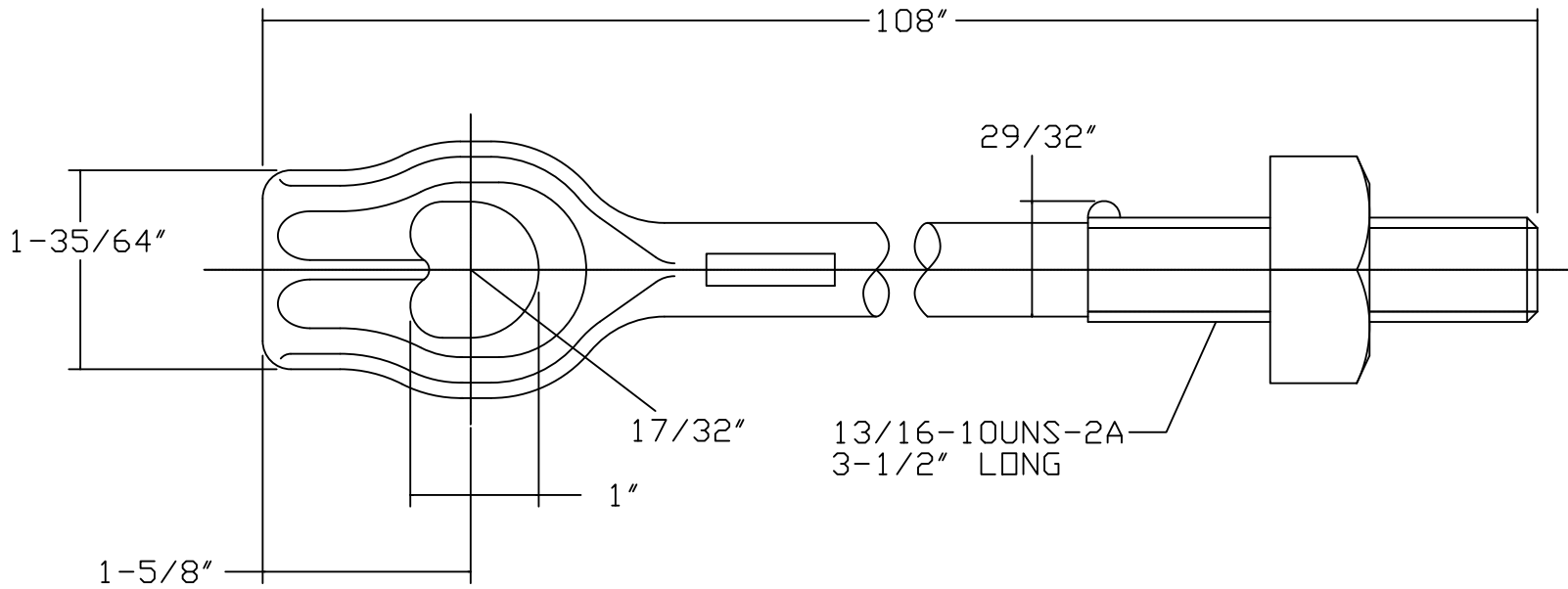


-NOTES-

1. HOT DIP GALV. PER ASTM SPEC. A153 (LATEST REV).
2. ADD USA SUFFIX TO CATALOG NUMBER FOR BUY AMERICA ITEMS. PURCHASERS OF BUY AMERICA ITEMS WILL BE PROVIDED A DATED CERTIFICATE OF COMPLIANCE TO SPECIFIC BUY AMERICA PROVISIONS IF REQUESTED AT THE TIME OF ORDER. CONTACT HUBBELL POWER SYSTEMS CUSTOMER SERVICE FOR DETAILS.



CATALOG NUMBER
5359

LATEST EC NO:	REV.	DATE	CHANGED BY	RESP ENGINEER
--	A	11/19/18	ZRM	BLJ
DO NOT SCALE THIS DWG			THIRD ANGLE PROJECTION	
ISO DUAL DIMENSIONS IN=INCH, MM=MILLIMETER				SIZE B

DRN BY: QUALLS DATE: 05/04/93 THREADED TWINEYE ROD - 3/4" SIZE B

CONFIDENTIAL - THIS DRAWING AND ITS CONTENTS ARE CONFIDENTIAL AND THE EXCLUSIVE PROPERTY OF HUBBELL/A.B. CHANCE COMPANY. NO PUBLICATION, DISTRIBUTION, COPIES MAY BE MADE WITHOUT WRITTEN CONSENT BY HUBBELL/A.B. CHANCE COMPANY. © 2000 HUBBELL/A.B. CHANCE. UNPUBLISHED - ALL RIGHTS RESERVED UNDER THE COPYRIGHT LAWS