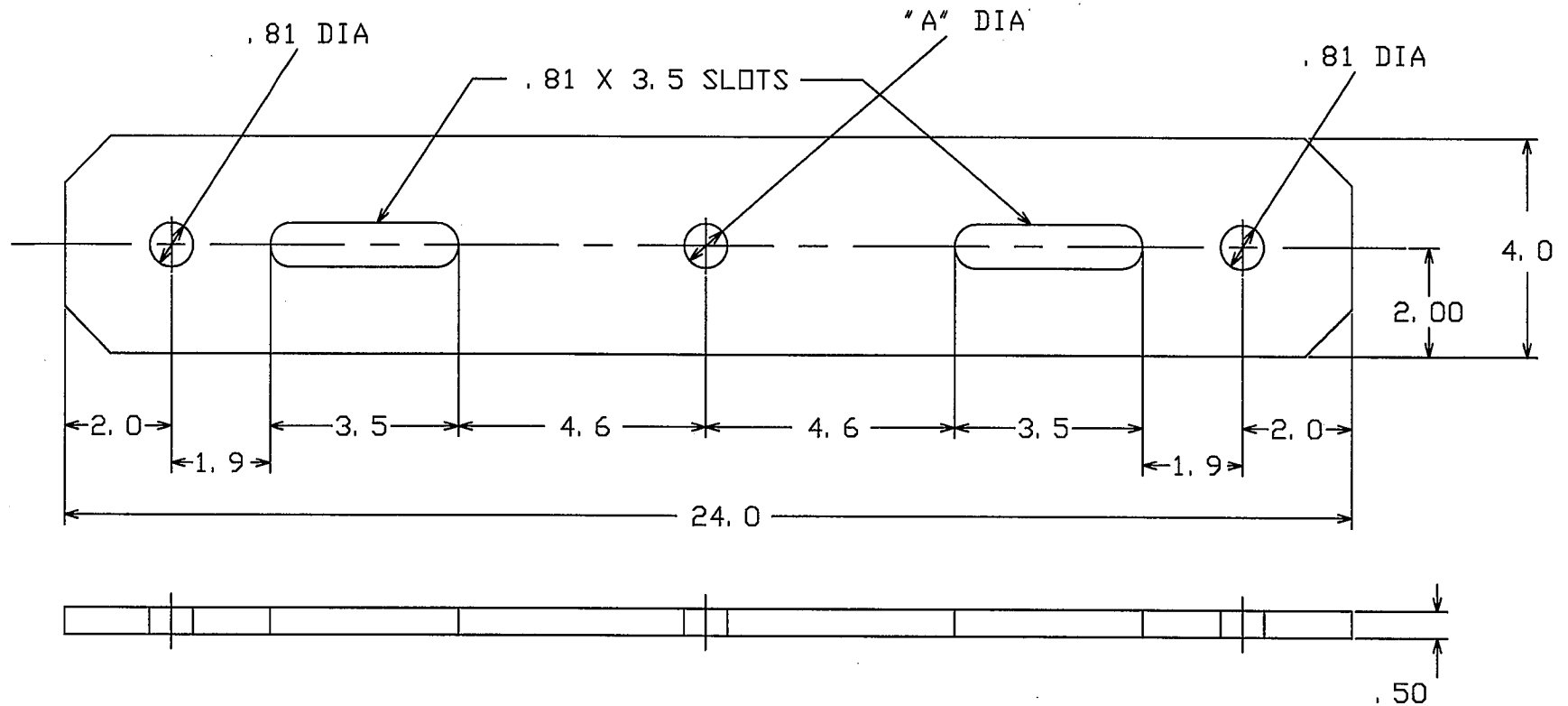


NOTES:

1.) MATERIAL: STEEL, HOT DIP GALVANIZED PER ASTM A153
(LATEST REVISION).



| | |
|----------------|------|
| CATALOG NUMBER | "A" |
| 5844 | 0.81 |
| T206-0545 | 0.94 |

| | | | |
|--|----------------------|--|--|
| <p>CHANCE TOLERANCE CHART</p> | | <p> HUBBELL POWER SYSTEMS POWER SYSTEM, INC.</p> | |
| <p>CONFIDENTIAL: THIS DRAWING AND ITS CONTENTS ARE CONFIDENTIAL AND THE EXCLUSIVE PROPERTY OF HUBBELL POWER SYSTEMS. NO PUBLICATION, DISTRIBUTION OR COPIES MAY BE MADE WITHOUT THE WRITTEN CONSENT OF HUBBELL POWER SYSTEMS. HUBBELL POWER SYSTEMS UNPUBLISHED. ALL RIGHTS RESERVED UNDER THE COPYRIGHT LAWS.</p> | | | |
| <p>TITLE DOUBLE ARMING PLATE</p> | | <p>SIZE DWG NO. SB SA5844</p> | <p>CAT / PART / ASSY NO. SEE CHART</p> |
| <p>DO NOT SCALE THIS DRAWING</p> | <p>DRN BY J.J.L.</p> | <p>DATE 06/17/08</p> | <p>REV ---</p> |
| | | <p>SHEET 01 OF 01</p> | |