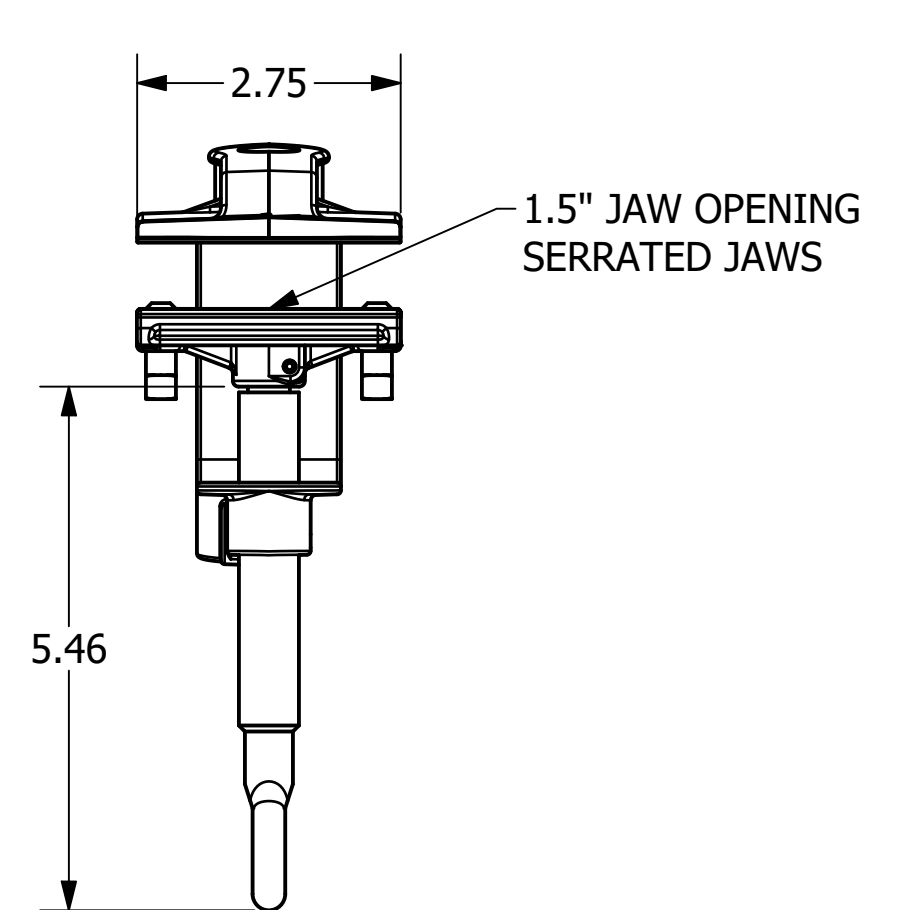
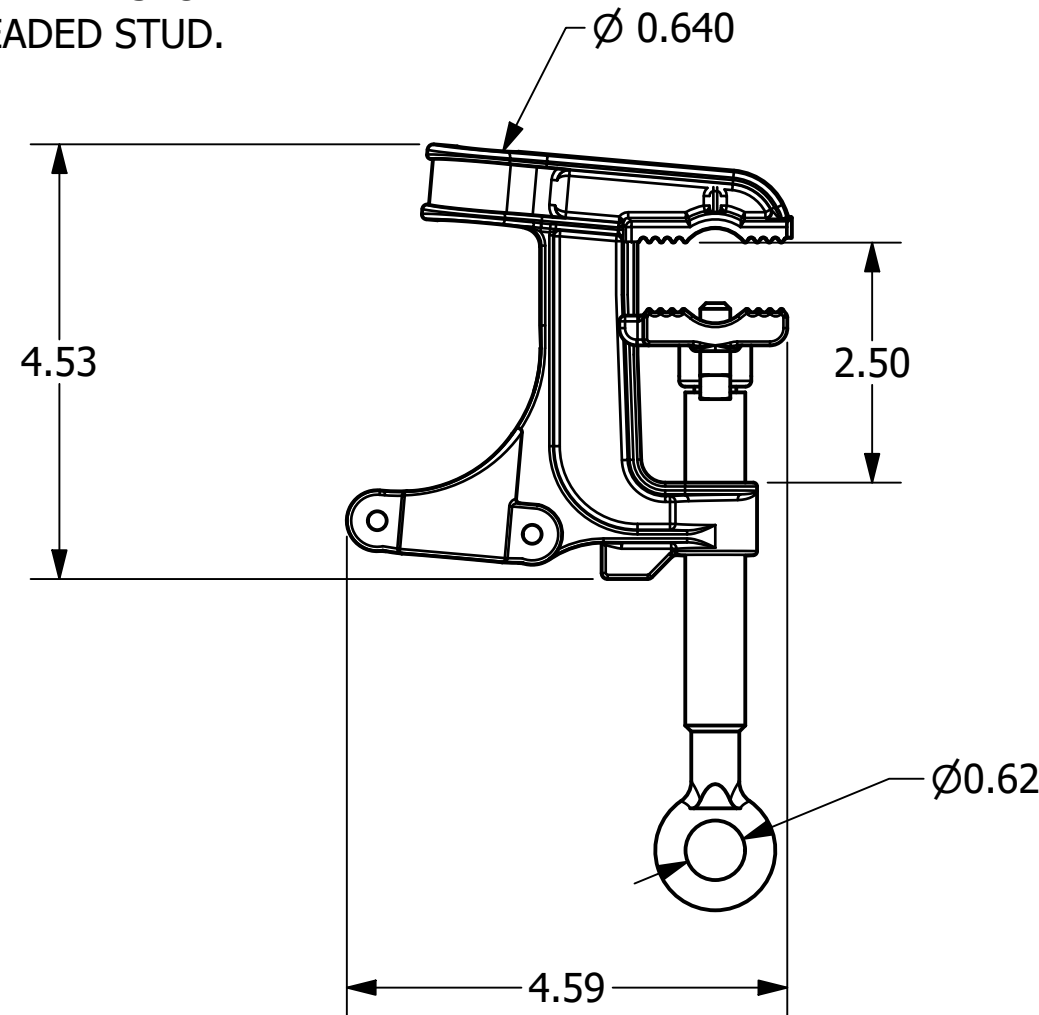
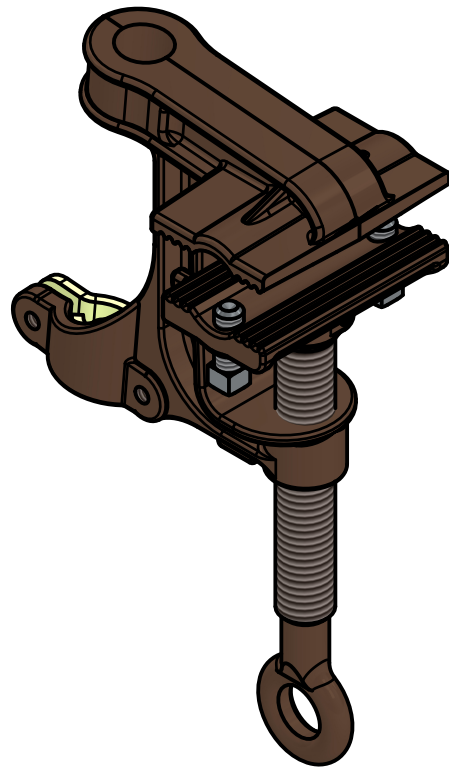


-NOTES-

1. ASTM TYPE I, CLASS B, GRADE 5.
2. CONTINUOUS CURRENT 400A.
3. FAULT CURRENT 43kA FOR 15 CYCLES OR 30kA FOR 30 CYCLES.
4. MAIN LINE RANGE MAX. 1.5" ANGLES OR 1.5" FLAT.
5. MAIN LINE RANGE MIN. 1/8".
6. JUMPER RANGE MAX. 4/0 GRD. CABLE W/ THREADED STUD.
7. JUMPER RANGE MIN. #2 GRD. CABLE W/ THREADED STUD.
8. WEIGHT 2.2 LB.
9. MAT'L: BRONZE.



CHANCE ®		HUBBELL ® POWER SYSTEMS, INC.		HUBBELL POWER SYSTEMS, INC.	
CONFIDENTIAL: THIS DRAWING AND ITS CONTENTS ARE CONFIDENTIAL AND THE EXCLUSIVE PROPERTY OF HUBBELL POWER SYSTEMS. NO PUBLICATION, DISTRIBUTION, OR COPIES MAY BE MADE WITHOUT THE WRITTEN CONSENT OF HUBBELL POWER SYSTEMS. HUBBELL POWER SYSTEMS UNPUBLISHED ALL RIGHTS RESERVED UNDER THE COPYRIGHT LAWS.		TITLE FLAT FACE CLAMP			
SIZE B	CAT / PART / ASSY NO. C600-2232	DWG NO. SA600-2232	REV A		
DO NOT SCALE THIS DRAWING	DRN BY IMJ	DATE 10/11/2023	SHEET 1 OF 1		