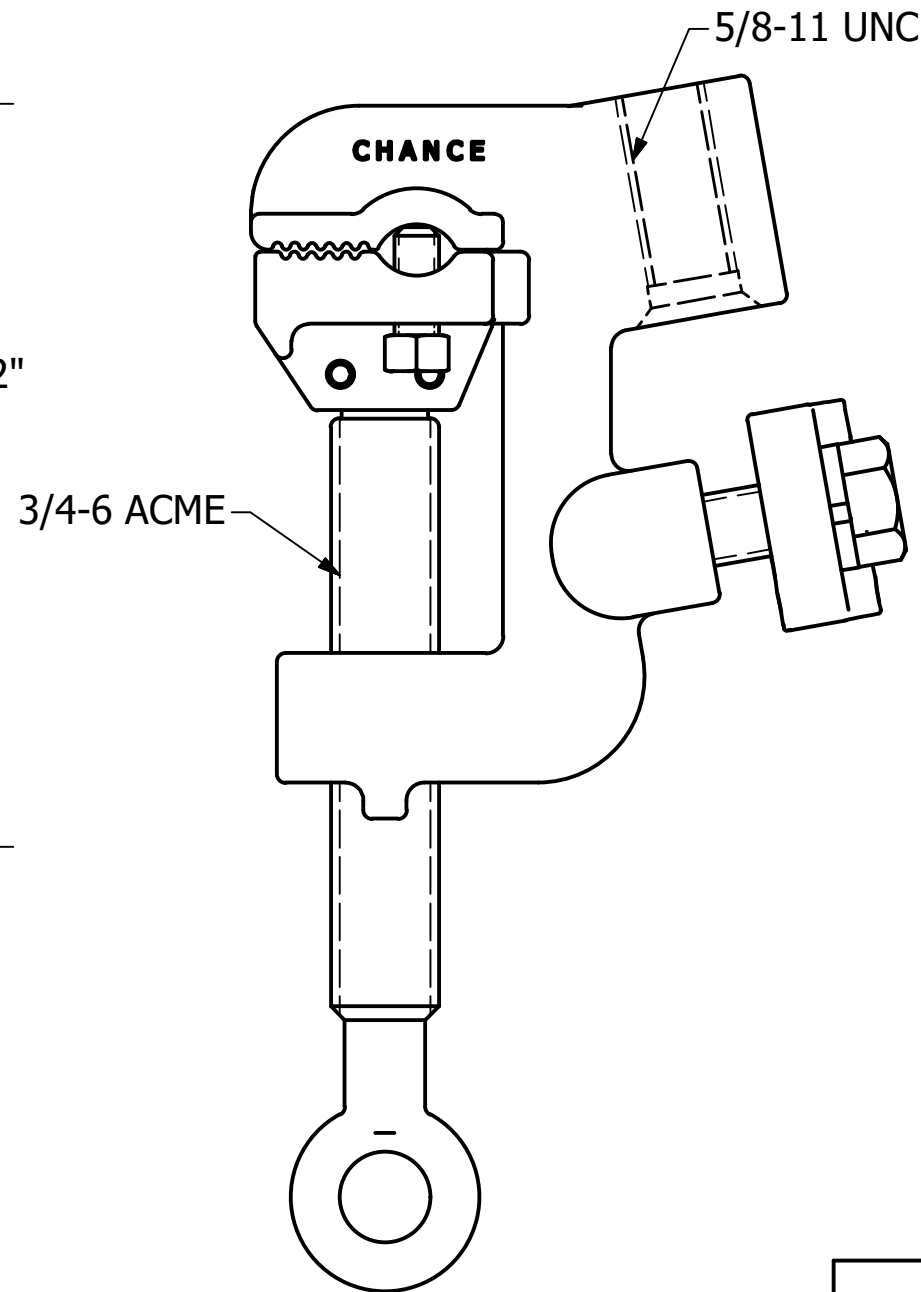
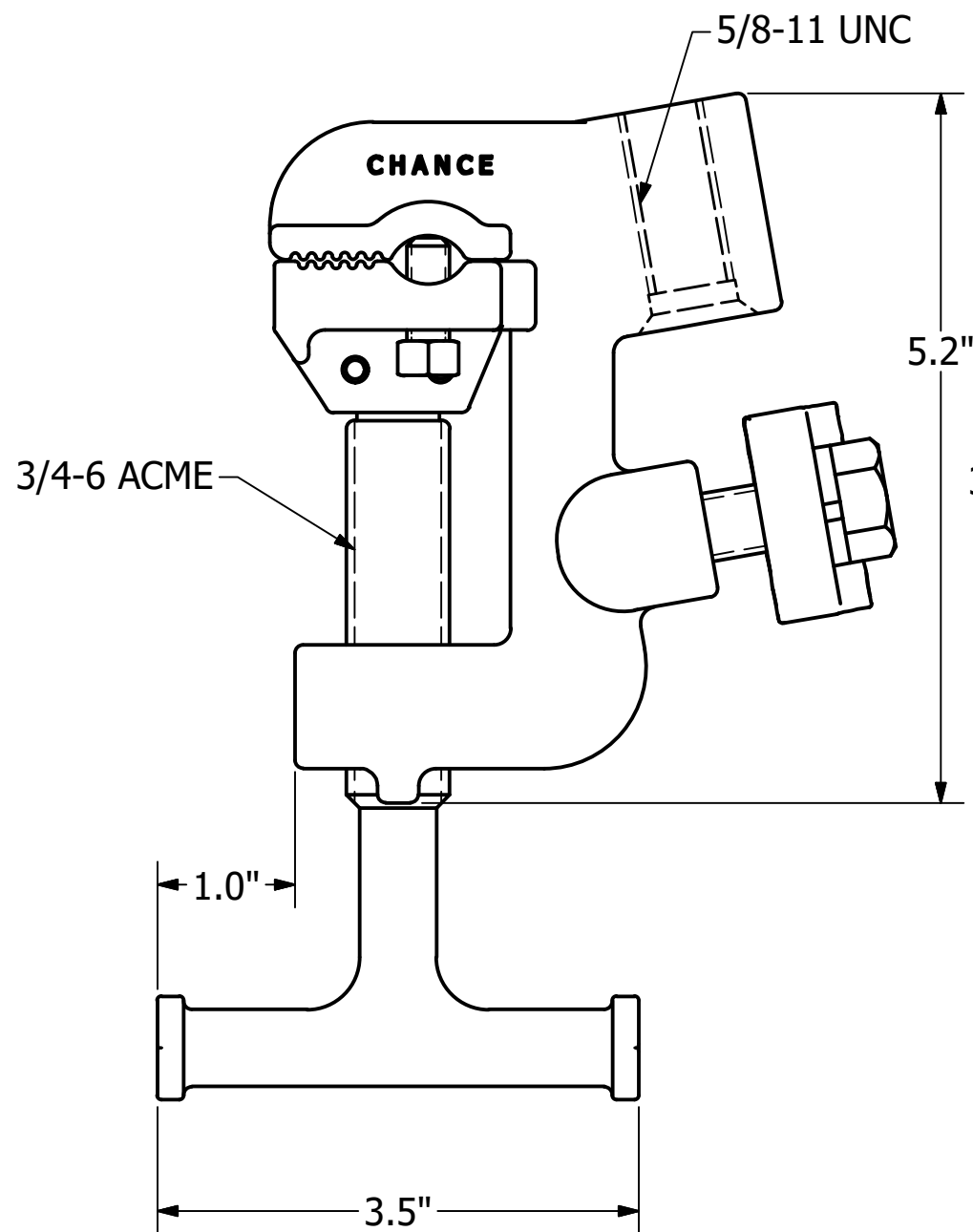


CATALOG NO.
PSC6003635

CATALOG NO.
PSC6003636



ASTM Grade	5H
Rated Current - 15 Cycles	47 kA
Jaw Opening Max.	1.5"
Jaw Opening Min.	0.125"
Jaw Type	Serrated
Required Eye Screw/ T-Handle Torque	360 in-lbs
Required Set Screw Torque	60 in-lbs

CHANCE [®]	HUBBELL [®] HUBBELL POWER SYSTEMS, INC. <small>POWER SYSTEMS, INC.</small>		
	TITLE FLAT FACE GROUND CLAMP, 5H		
SIZE B	CAT / PART / ASSY NO. SEE DRAWING	DWG NO. SA6003635	REV A
DO NOT SCALE THIS DRAWING	DRN BY TLK	DATE 2/26/18	SHEET 1 OF 1

CONFIDENTIAL: THIS DRAWING AND ITS CONTENTS ARE CONFIDENTIAL AND THE EXCLUSIVE PROPERTY OF HUBBELL POWER SYSTEMS. NO PUBLICATION, DISTRIBUTION, OR COPIES MAY BE MADE WITHOUT THE WRITTEN CONSENT OF HUBBELL POWER SYSTEMS. HUBBELL POWER SYSTEMS UNPUBLISHED ALL RIGHTS RESERVED UNDER THE COPYRIGHT LAWS.