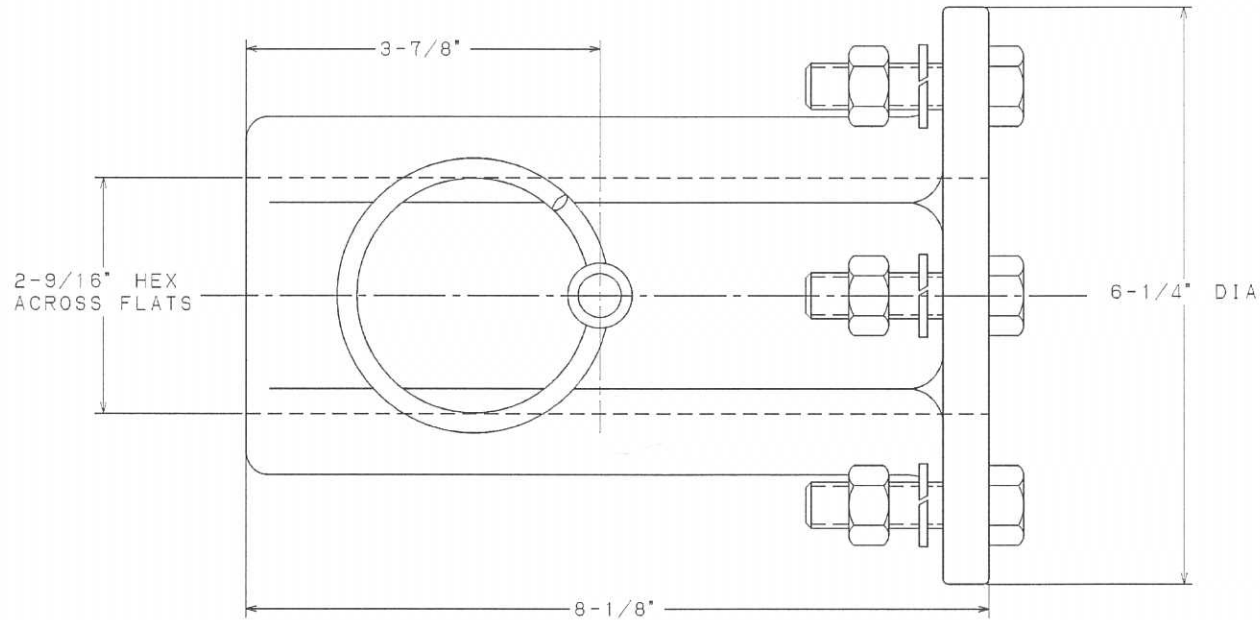
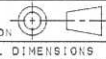




= NOTE =

1. FINISH SPRUCE GREEN ENAMEL.



CONFIDENTIAL: THIS DRAWING AND ITS CONTENTS ARE CONFIDENTIAL AND THE EXCLUSIVE PROPERTY OF HUBBELL / A. B. CHANCE COMPANY. NO PUBLICATION, DISTRIBUTION OR COPIES MAY BE MADE WITHOUT WRITTEN CONSENT BY HUBBELL / A. B. CHANCE COMPANY. © 2000 HUBBELL / A. B. CHANCE. UNPUBLISHED - ALL RIGHTS RESERVED UNDER THE COPYRIGHT LAWS

LATEST EC NO:		REV.	DATE	CHANGED BY	RESP ENGINEER
EC95121303		A	12-13-95	THOMAS	HOYT
					 THIRD ANGLE PROJECTION DO NOT SCALE THIS DWG : ISO DUAL DIMENSIONS IN=INCH, MM=MILLIMETER
DRN BY:	DATE	TITLE:			SIZE
JONES	04-02-91	KELLY BAR SOCKET			C
 HUBBELL POWER SYSTEMS		 CHANCE		DWG NO: SA630011HD	