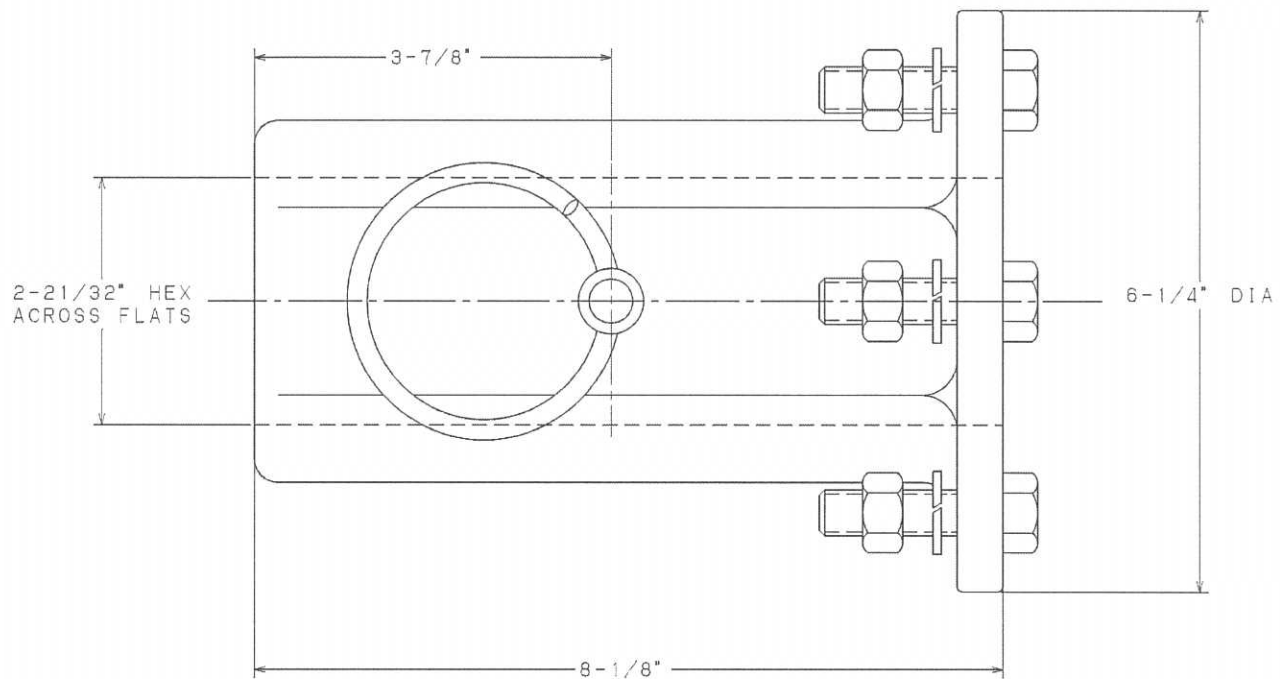


=NOTE=

1. FINISH SPRUCE GREEN ENAMEL.



LATEST EC NO:		REV.	DATE	CHANGED BY	RESP ENGINEER
EC95121303		A	12-13-95	THOMAS	HOYT
DO NOT SCALE THIS DWG					THIRD ANGLE PROJECTION
					1:50 DUAL DIMENSIONS IN=INCH, MM=MILLIMETER
DRN BY:	DATE	TITLE:			SIZE
JONES	04-02-91	KELLY BAR SOCKET			C
				DWG NO:	SA630012HD

CONFIDENTIAL - THIS DRAWING AND ITS CONTENTS ARE CONFIDENTIAL AND THE EXCLUSIVE PROPERTY OF HUBBELL / A. B. CHANCE COMPANY. NO PUBLICATION, DISTRIBUTION OR COPIES MAY BE MADE WITHOUT WRITTEN CONSENT BY HUBBELL / A. B. CHANCE COMPANY. © 2000 HUBBELL/A. B. CHANCE. UNPUBLISHED - ALL RIGHTS RESERVED UNDER THE COPYRIGHT LAWS