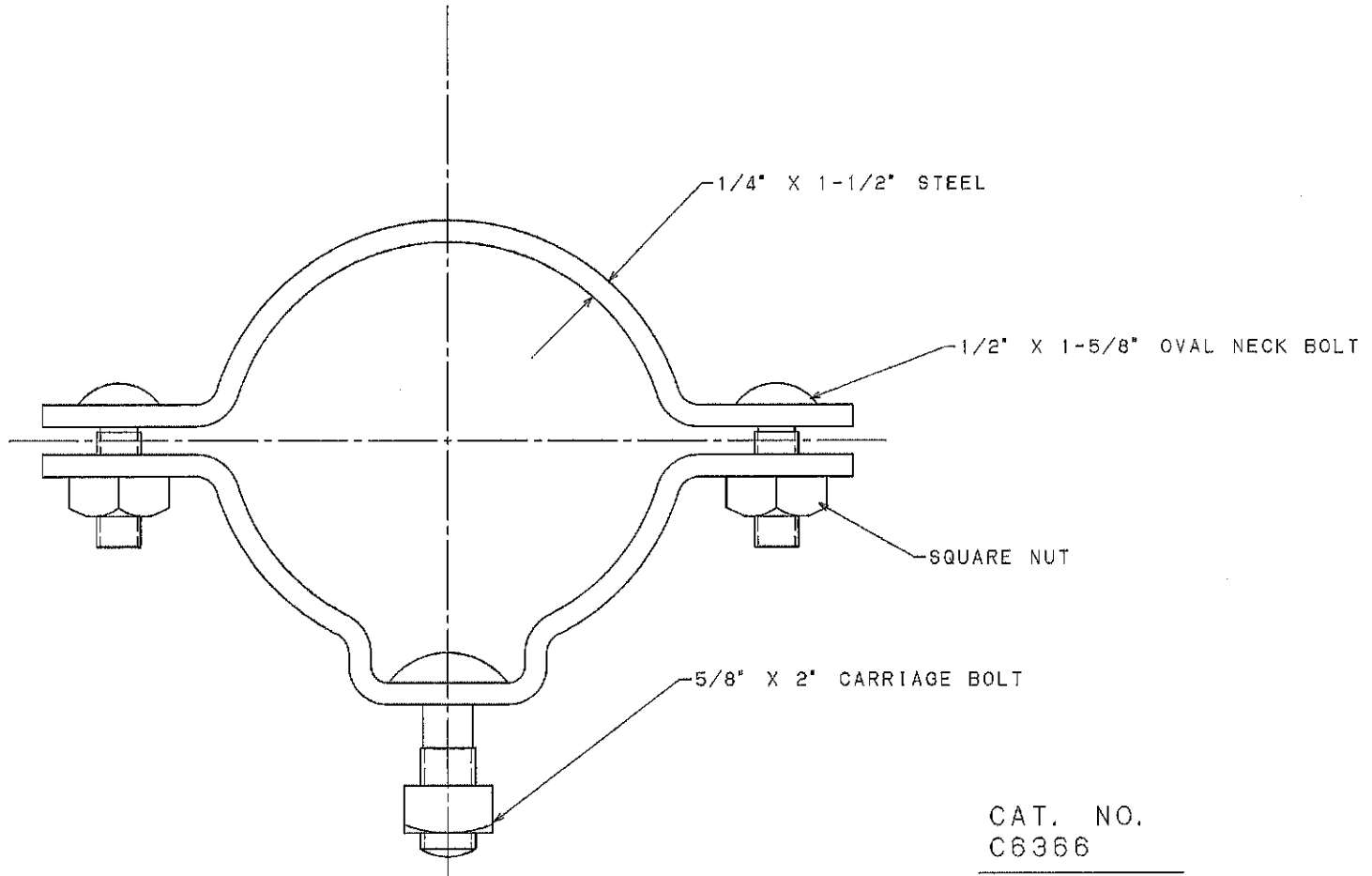


==NOTE==

1. MAT'L: STEEL HOT DIP GALVANIZE PER ASTM A153 (LATEST REV' N).
2. NOMINAL POLE DIAMETER 6.5/8".



CAT. NO.
C6366

LATEST EC NO:		REV.	DATE	CHANGED BY	RESP ENGINEER
EC93081304		-	-----	---	ODOM
				DO NOT SCALE THIS DWG	THIRD ANGLE PROJECTION
				1:50 DUAL DIMENSIONS IN=1/8" INCH MM=MILLIMETER	
DRN BY:	DATE	TITLE:			SIZE
MARTIN	08-10-02	TUBULAR POLE BANDS			C
				DWG NO: SA6366	

CONFIDENTIAL: THIS DRAWING AND ITS CONTENTS ARE CONFIDENTIAL AND THE EXCLUSIVE PROPERTY OF HUBBELL / A. B. CHANCE COMPANY. NO PUBLICATION, DISTRIBUTION OR COPIES MAY BE MADE WITHOUT WRITTEN CONSENT BY HUBBELL / A. B. CHANCE COMPANY. © 2000 HUBBELL/A. B. CHANCE. UNPUBLISHED - ALL RIGHTS RESERVED UNDER THE COPYRIGHT LAWS