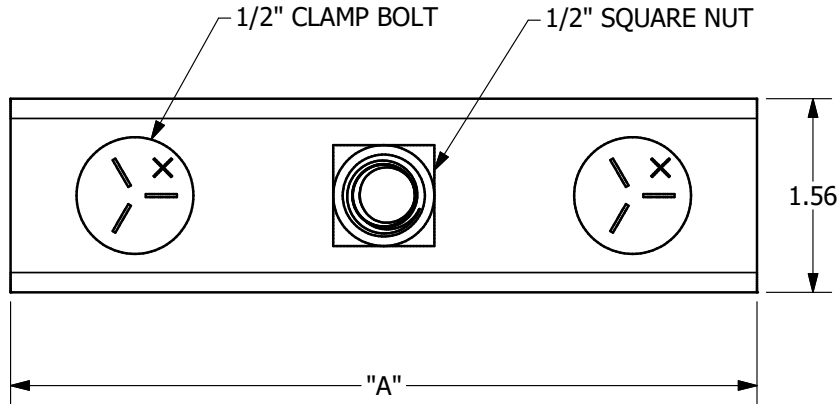
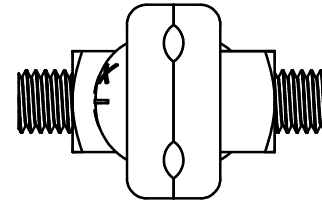
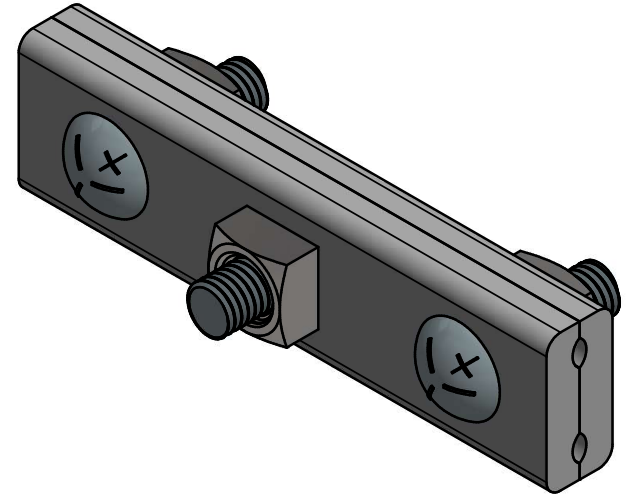


-NOTES-

1. MAT'L: STEEL, HOT DIP GALV. PER ASTM A153 (LATEST REV.)
2. STRAND SIZE 1/4" TO 7/16".



CATALOG #	"A"
6449	4.2
6450	6.0



<p>CHANCE®</p> <p><small>CONFIDENTIAL: THIS DRAWING AND ITS CONTENTS ARE CONFIDENTIAL AND THE EXCLUSIVE PROPERTY OF HUBBELL POWER SYSTEMS. NO PUBLICATION, DISTRIBUTION, OR COPIES MAY BE MADE WITHOUT THE WRITTEN CONSENT OF HUBBELL POWER SYSTEMS, HUBBELL POWER SYSTEMS UNPUBLISHED ALL RIGHTS RESERVED UNDER THE COPYRIGHT LAWS.</small></p>	<p>HUBBELL® POWER SYSTEMS, INC.</p>		<p>HUBBELL POWER SYSTEMS, INC.</p>	
	<p>TITLE</p> <p>GUY CLAMP</p>			
<p>SIZE</p> <p>B</p>	<p>CAT / PART / ASSY NO.</p> <p>SEE CHART</p>	<p>DWG NO.</p> <p>SA6450</p>	<p>REV</p> <p>A</p>	
<p>DO NOT SCALE THIS DRAWING</p>	<p>DRN BY CBW</p>	<p>DATE 12/12/22</p>	<p>SHEET 1 OF 1</p>	