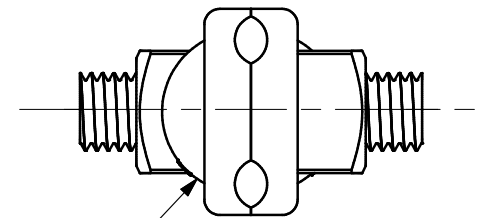
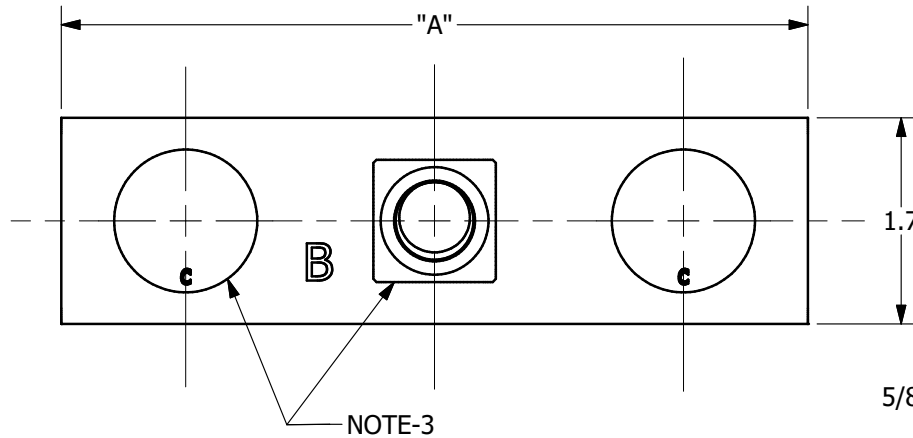
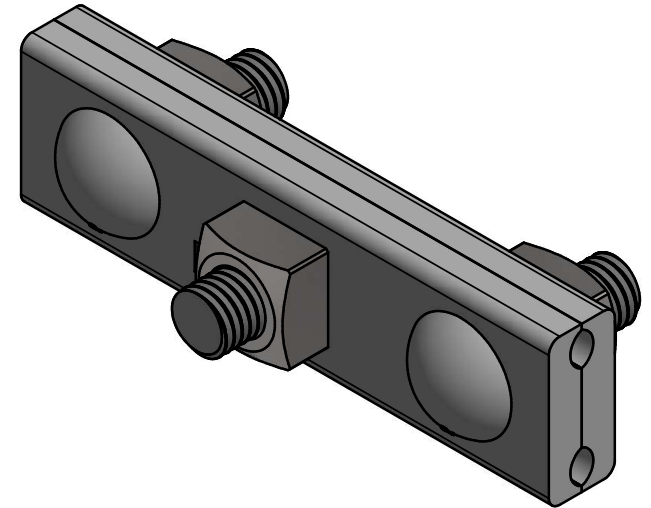


-NOTES-

1. MAT'L: H.R. STEEL, HOT DIP GALV. PER ASTM A153 (LATEST REV.)
2. ACCOMMODATES STRAND SIZES 5/16" TO 1/2".
3. WITH THE EXCEPTION OF CAT. NO. 6462 WHICH IS ASSEMBLED WITH BOLT HEADS ON THE SAME SIDE. ALTERNATE BOLTS ARE REVERSED.



5/8 X 1-3/4 CARR.
AND SQ. NUT
(3 PLCS)

ASSY NO.	DESCRIPTION	"A"
6461	GUY CLAMP	6.0
6462	GUY CLAMP	4.0

	HUBBELL POWER SYSTEMS, INC.			
	TITLE HEAVY TYPE GUY CLAMP			
CONFIDENTIAL: THIS DRAWING AND ITS CONTENTS ARE CONFIDENTIAL AND THE EXCLUSIVE PROPERTY OF HUBBELL POWER SYSTEMS. NO PUBLICATION, DISTRIBUTION, OR COPIES MAY BE MADE WITHOUT THE WRITTEN CONSENT OF HUBBELL POWER SYSTEMS. HUBBELL POWER SYSTEMS UNPUBLISHED ALL RIGHTS RESERVED UNDER THE COPYRIGHT LAWS.	SIZE B	CAT / PART / ASSY NO. SEE CHART	DWG NO. SA6461	REV A
DO NOT SCALE THIS DRAWING	DRN BY CBW	DATE 12/15/22	SHEET 1 OF 1	