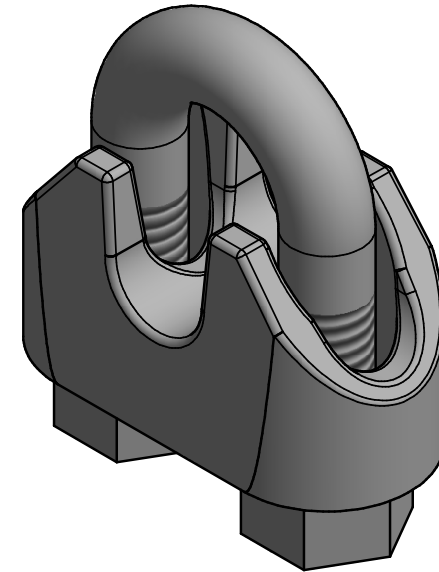
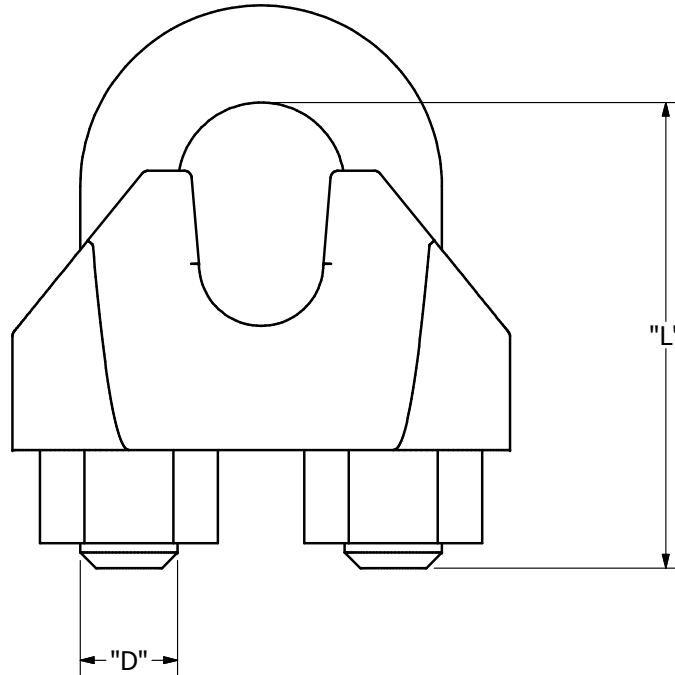


CATALOG NO.	CLAMP SIZE	"D" THREAD	"L"
6480	1/4	5/16-18	1.188
6481	5/16	5/16-18	1.188
6482	3/8	3/8-16	1.563
6484	1/2	7/16-14	2.000
6485	5/8	1/2-13	2.313



-NOTES-

1. WIRE ROPE CLAMPS TO MEET FEDERAL SPECIFICATION FF-C-450 TYPE 1, CLASS 2

CHANCE ®	HUBBELL ® POWER SYSTEMS, INC.		
	TITLE		
WIRE ROPE CLAMP			
<small>CONFIDENTIAL: THIS DRAWING AND ITS CONTENTS ARE CONFIDENTIAL AND THE EXCLUSIVE PROPERTY OF HUBBELL POWER SYSTEMS. NO PUBLICATION, DISTRIBUTION, OR COPIES MAY BE MADE WITHOUT THE WRITTEN CONSENT OF HUBBELL POWER SYSTEMS. HUBBELL POWER SYSTEMS UNPUBLISHED ALL RIGHTS RESERVED UNDER THE COPYRIGHT LAWS.</small>	SIZE	CAT / PART / ASSY NO.	DWG NO.
	B	SEE CHART	SA6480
DO NOT SCALE THIS DRAWING	DRN BY JONES	DATE 07/10/92	REV C
			SHEET 1 OF 1