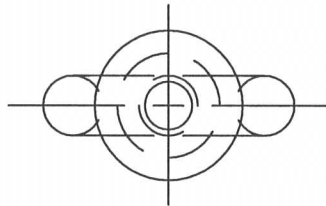
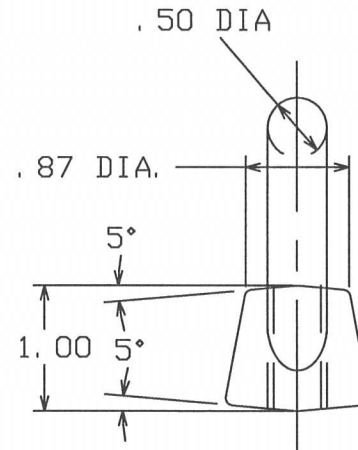
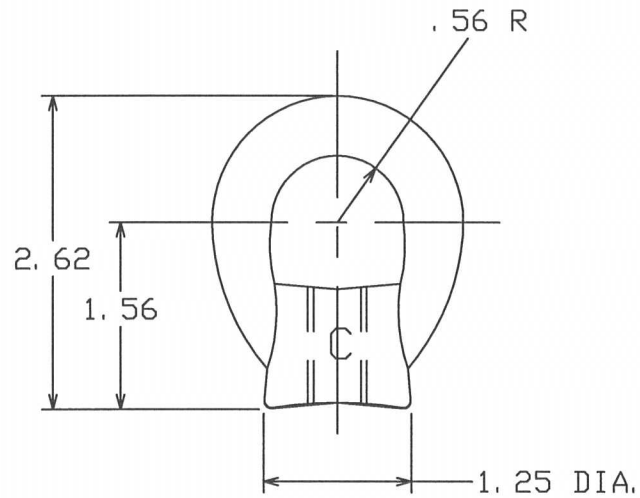



-NOTES-

1. MATERIAL: HOT FORGED STEEL.
2. ZINC COATING: HOT DIP GALVANIZE PER ASTM A153 (LATEST REV'N) OR MECHANICAL GALVANIZE PER ASTM B695.



| CAT. NO. | DESCRIPTION | BOLT SIZE |
|----------|-------------|-----------|
| 6500 | EYENUT | 1/2" |
| 6501 | EYENUT | 5/8" |

| | | | |
|---|------------|--|---|
| CHANCE TOLERANCE CHART | |  HUBBELL POWER SYSTEMS | |
| <small>CONFIDENTIAL: THIS DRAWING AND ITS CONTENTS ARE CONFIDENTIAL AND THE EXCLUSIVE PROPERTY OF HUBBELL POWER SYSTEMS. NO PUBLICATION, DISTRIBUTION OR COPIES MAY BE MADE WITHOUT THE WRITTEN CONSENT OF HUBBELL POWER SYSTEMS. HUBBELL POWER SYSTEMS UNPUBLISHED ALL RIGHTS RESERVED UNDER THE COPYRIGHT LAWS.</small> | | TITLE FORGED EYENUT | |
| | | SIZE DWG NO. SB SA6500 | CAT / PART / ASSY NO. SEE CHART |
| DO NOT SCALE THIS DRAWING | DRN BY JJL | DATE 06/06/11 | SHEET 01 OF 01 |