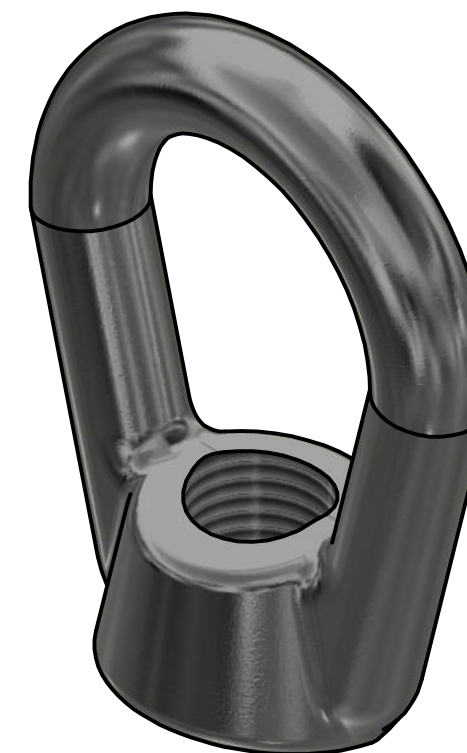
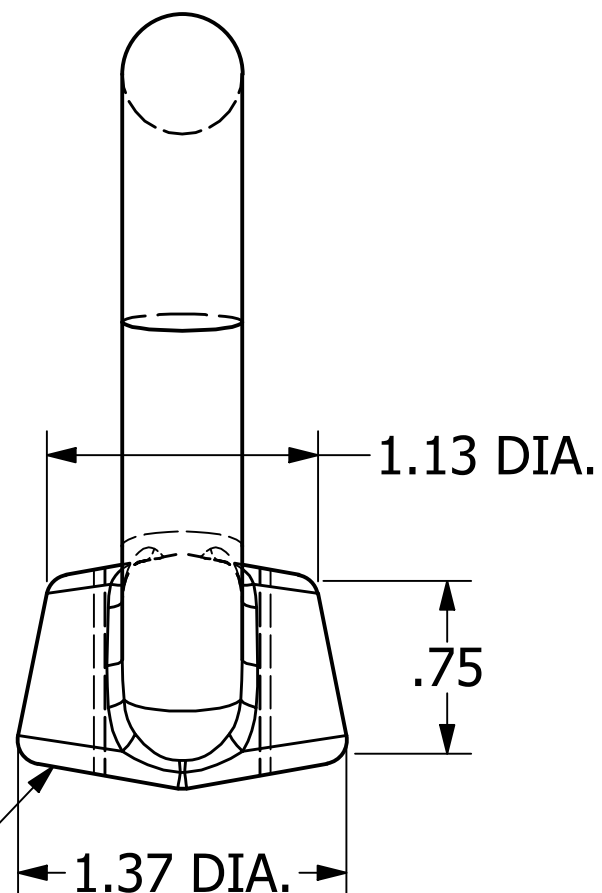
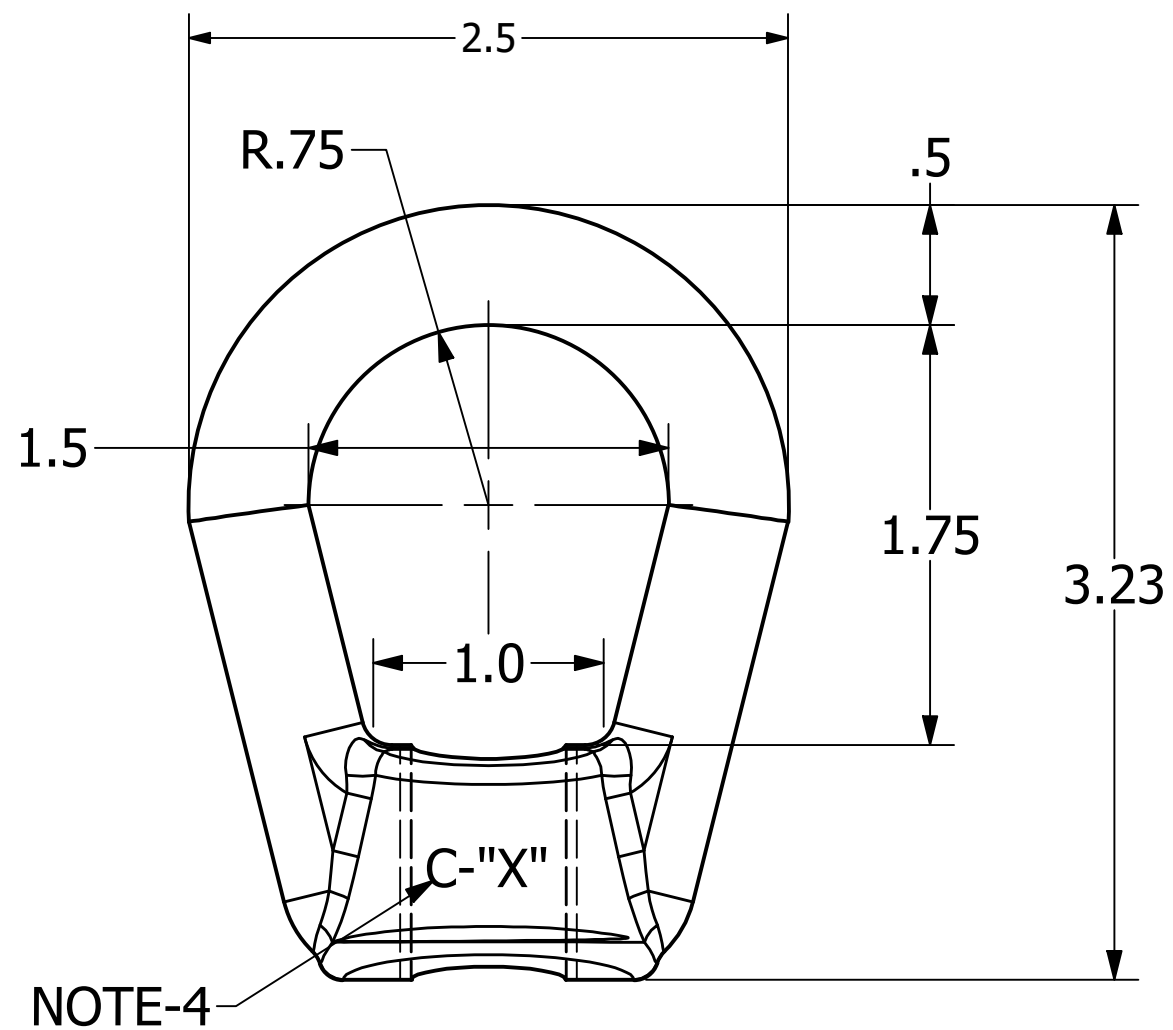


CATALOG NUMBER	DESCRIPTION	BOLT SIZE
6502	EYENUT	5/8"
6503	EYENUT	3/4"

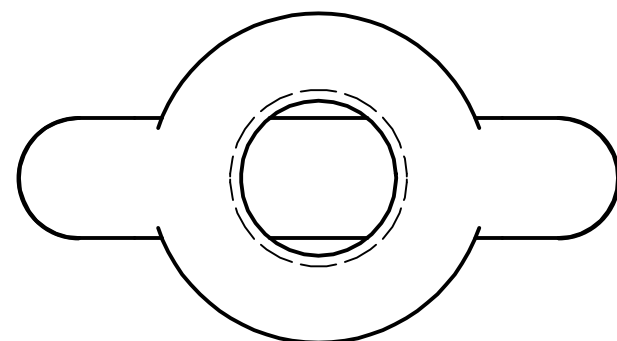
- NOTES -

1. MATERIAL: HOT FORGED STEEL
2. HOT DIP GALVANIZE PER ASTM A153 (LATEST REV).
3. ALL DIMENSIONS IN INCHES UNLESS OTHERWISE NOTED.
4. STRENGTH AND DIMENSIONS PER ANSI/IEEE C135.5 INCLUDING THE FOLLOWING:
- MINIMUM TENSILE STRENGTH OF 13,550 LBS.
5. PART MARKED WITH C-"X" WHERE "X" IS THE MANUFACTURE'S ID
6. CATALOG NUMBERS WITHA "USA" SUFFIX HAVE ALL COMPONENTS MELTED/MANUFACTURED IN THE USA



NOTE-4

10° DRAFT ANGLE



CHANCE [®]	HUBBELL POWER SYSTEMS, INC.			
	TITLE EYENUT			
CONFIDENTIAL: THIS DRAWING AND ITS CONTENTS ARE CONFIDENTIAL AND THE EXCLUSIVE PROPERTY OF HUBBELL POWER SYSTEMS. NO PUBLICATION, DISTRIBUTION, OR COPIES MAY BE MADE WITHOUT THE WRITTEN CONSENT OF HUBBELL POWER SYSTEMS. HUBBELL POWER SYSTEMS UNPUBLISHED ALL RIGHTS RESERVED UNDER THE COPYRIGHT LAWS.	SIZE B	CAT / PART / ASSY NO. SEE CHART	DWG NO. SA6502	REV F
	DO NOT SCALE THIS DRAWING	DRN BY TOLIVER	DATE 11/25/20	SHEET 1 OF 1