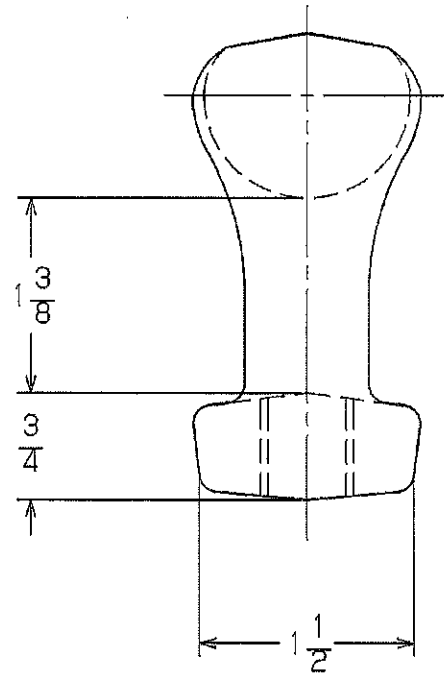
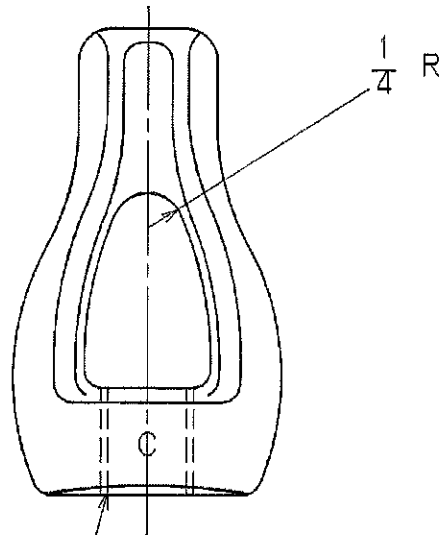






==NOTES==

1. MAT'L: STEEL, HOT DIP GALVANIZED PER ASTM A153 (LATEST REVISION).



RPED .646-11UNS-2B

CATALOG NUMBER  
C6510

LATEST EC NO:		REV.	DATE	CHANGED BY	RESP ENGINEER
EC93031001		-	-----	---	ODOM
				DO NOT SCALE THIS DWG	THIRD ANGLE PROJECTION  E ISO DUAL DIMENSIONING IN=INCH, MM=MILLIMETER
DRN BY:	DATE	TITLE:			
MARTIN	03-18-93	THIMBLEYE NUT			
					 DWG NO: SA6510