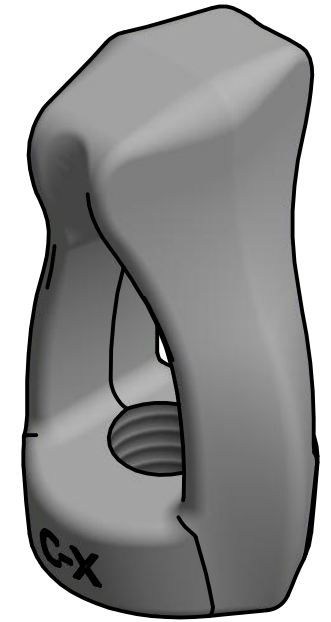
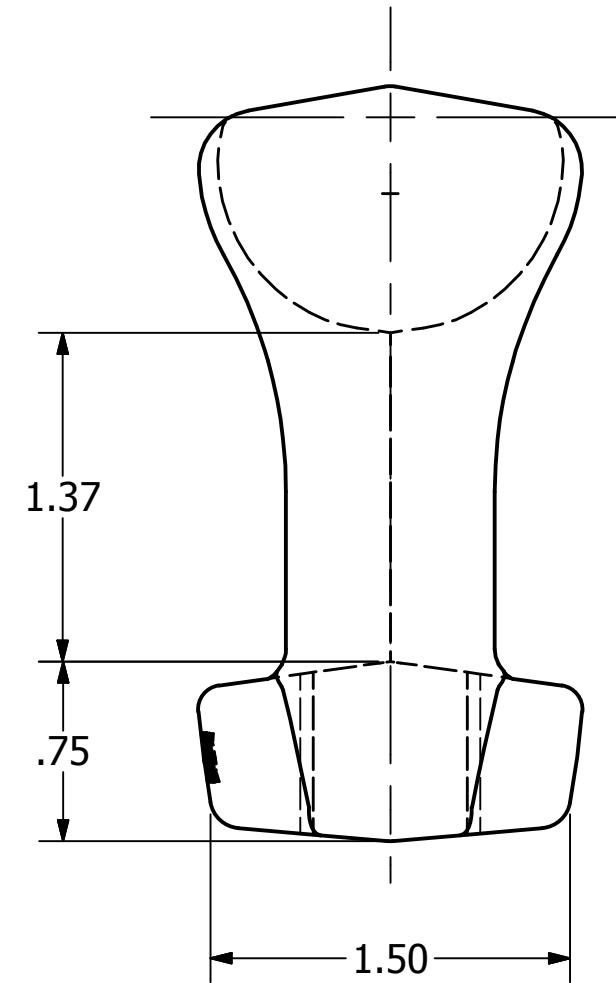
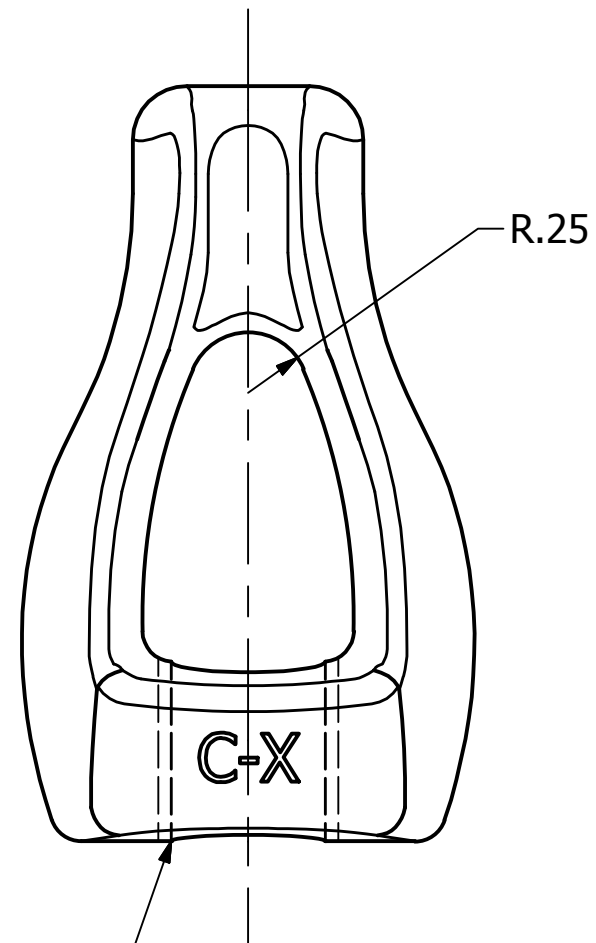


=NOTES=

1. MAT'L: STEEL. HOT DIP GALVANIZED PER ASTM A153 (LATEST REVISION).
2. RATED TENSILE STRENGTH 18,350 LB PER IEEE C135.80



TAPPED .771-10UNS-2B

CATALOG NUMBER
6511

CHANCE [®]		HUBBELL [®] HUBBELL POWER SYSTEMS, INC. <small>POWER SYSTEMS, INC.</small>	
CONFIDENTIAL: THIS DRAWING AND ITS CONTENTS ARE CONFIDENTIAL AND THE EXCLUSIVE PROPERTY OF HUBBELL POWER SYSTEMS. NO PUBLICATION, DISTRIBUTION, OR COPIES MAY BE MADE WITHOUT THE WRITTEN CONSENT OF HUBBELL POWER SYSTEMS. HUBBELL POWER SYSTEMS UNPUBLISHED ALL RIGHTS RESERVED UNDER THE COPYRIGHT LAWS.			
TITLE THIMBLEYE NUT		SIZE B	REV A
DO NOT SCALE THIS DRAWING	CAT / PART / ASSY NO. 6511	DWG NO. SA6511	SHEET 1 OF 1
	DRN BY JMT	DATE 3/27/19	