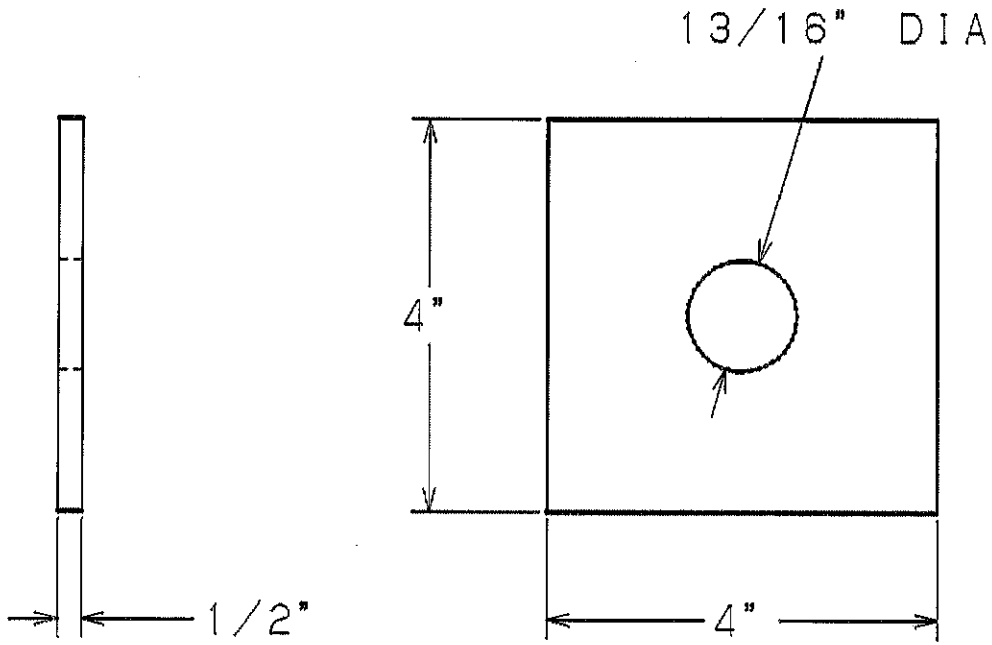


= NOTE =

1. MATERIAL: STEEL, HOT DIP GALV. PER ASTM A153, LATEST REVISION.



*CAT. NO.  
6819-1/2*

LATEST EC NO:	REV.	DATE	CHANGED BY	RESP ENGINEER
91060702	-	-----	---	ODOM

DO NOT SCALE THIS DWG

THIRD ANGLE PROJECTION

150 DUAL DIMENSIONS  
IN=INCH, MM=MILLIMETER

DRN BY:	DATE	TITLE:	SIZE
JONES	06-16-81	SQUARE WASHER	A



**CHANCE**



DWG NO: SA6819-1/2

CONFIDENTIAL: THIS DRAWING AND ITS CONTENTS ARE CONFIDENTIAL AND THE EXCLUSIVE PROPERTY OF HUBBELL / A. B. CHANCE COMPANY. NO PUBLICATION, DISTRIBUTION OR COPIES MAY BE MADE WITHOUT WRITTEN CONSENT BY HUBBELL / A. B. CHANCE COMPANY. © 2000 HUBBELL/A. B. CHANCE. UNPUBLISHED - ALL RIGHTS RESERVED UNDER THE COPYRIGHT LAWS