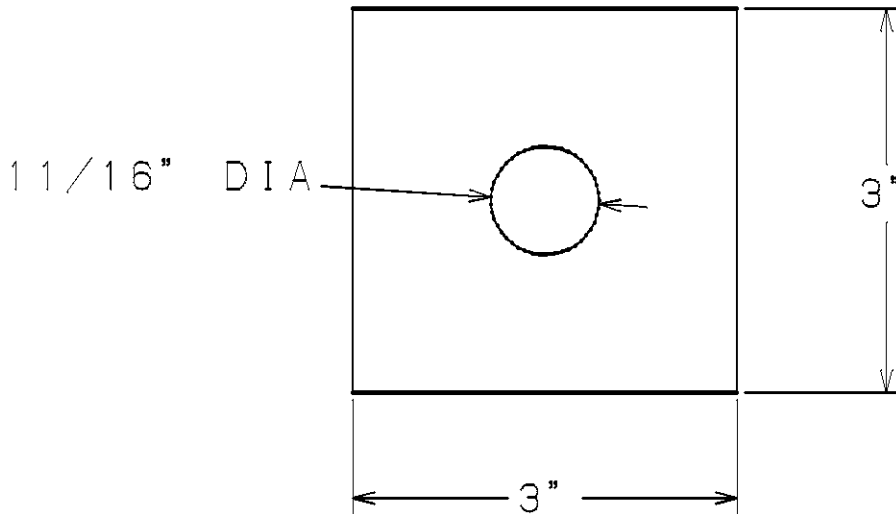
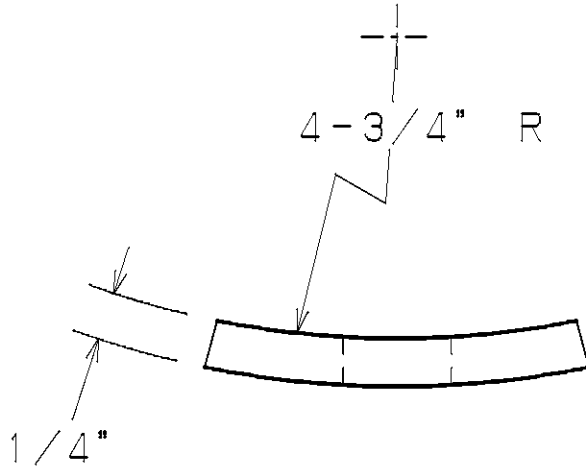


=NOTES=

1. MATERIAL: STEEL, HOT DIP GALV. PER ASTM A153, LATEST REVISION.
2. CONFORMS TO NEMA PH10 - 1977.



CAT. NO. 6823-1/2

LATEST EC NO:	REV.	DATE	CHANGED BY	RESP ENGINEER
91060702	-	-----	---	ODOM

DO NOT SCALE THIS DWG

THIRD ANGLE PROJECTION

ISO DUAL DIMENSIONS
IN=INCH, MM=MILLIMETER

DRN BY:	DATE	TITLE:	SIZE
JONES	06-18-91	CURVED WASHER	A

CONFIDENTIAL: THIS DRAWING AND ITS CONTENTS ARE CONFIDENTIAL AND THE EXCLUSIVE PROPERTY OF HUBBELL / A. B. CHANCE COMPANY. NO PUBLICATION, DISTRIBUTION OR COPIES MAY BE MADE WITHOUT WRITTEN CONSENT BY HUBBELL / A. B. CHANCE COMPANY. © 2000 HUBBELL/A. B. CHANCE. UNPUBLISHED - ALL RIGHTS RESERVED UNDER THE COPYRIGHT LAWS