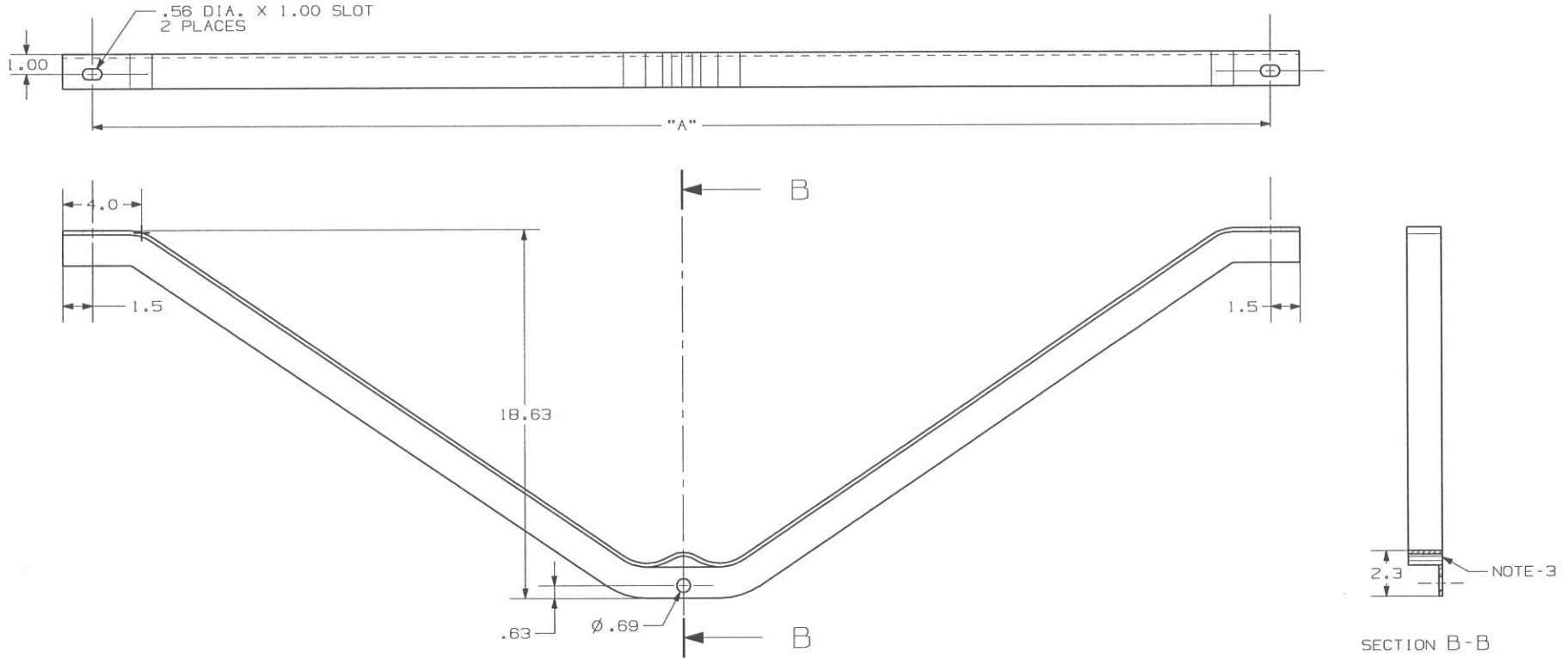


-NOTES-

1. MAT'L: MBQ M-1020, H.R. STEEL, 1-3/4 X 1-3/4 X 3/16 ANGLE  
 ALT. MAT'L: A36, H. R. STEEL, 1-3/4 X 1-3/4 X 3/16 ANGLE.
2. HOT DIP GALVANIZE PER SPEC ASTM A153 (LATEST REVISION).
3. SPLIT IN ANGLE IS PERMISSIBLE AT SECTION "B-B".



CATALOG NO.	DESCRIPTION	"A"
6953	ANGLE CROSSARM BRACE	60
6955	ANGLE CROSSARM BRACE	72

LATEST EC NO: 47043		REV. -	DATE -----	CHANGED BY -----	RESP ENGINEER KIRK
DO NOT SCALE THIS DWG				THIRD ANGLE PROJECTION 150 DUAL DIMENSIONS IN=INCH, MM=MILLIMETER	
DRN BY: BERGER	DATE 09-30-12	TITLE: BRACE, ANGLE CROSSARM		SIZE C	
				DWG NO: SA6953	

CONFIDENTIAL: THIS DRAWING AND ITS CONTENTS ARE CONFIDENTIAL AND THE EXCLUSIVE PROPERTY OF HUBBELL POWER SYSTEMS, INC. NO PUBLICATION, DISTRIBUTION OR COPIES MAY BE MADE WITHOUT WRITTEN CONSENT BY HUBBELL POWER SYSTEMS, INC. © 2012 HUBBELL POWER SYSTEMS. UNPUBLISHED. ALL RIGHTS RESERVED UNDER THE COPYRIGHT LAWS