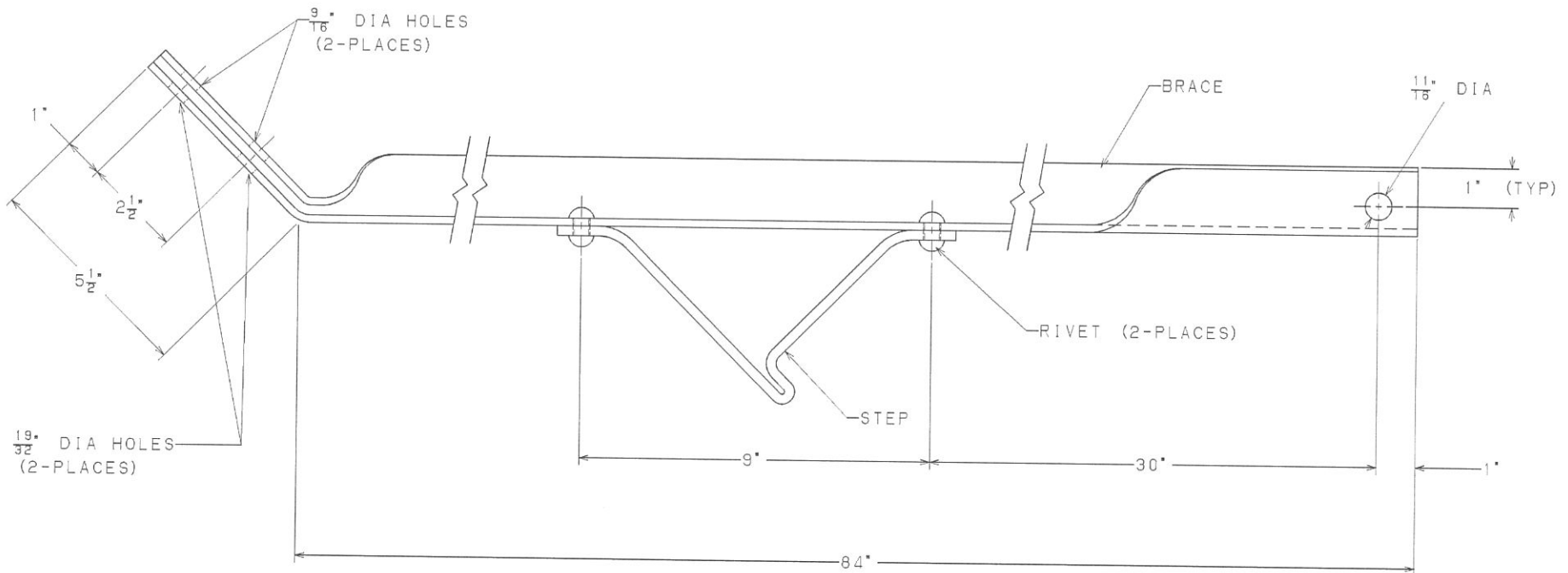
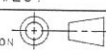




==NOTES==

1. MAT'L: STEEL ANGLE 1-3/4" X 1-3/4" X 3/16".
2. HOT DIP GALVANIZED PER ASTM A153 (LATEST REVISION).



CAT. NO. 6984

LATEST EC NO:	REV.	DATE	CHANGED BY	RESP ENGINEER
EC98062901	B	08-29-98	MARTIN	WEST
<small>DO NOT SCALE THIS DWG</small>				<small>THIRD ANGLE PROJECTION</small> 
<small>ISO DUAL DIMENSIONS IN=INCH, MM=MILLIMETER</small>				
DRN BY:	DATE:	TITLE:		SIZE:
MARTIN	08-29-98	ALLEY ARM BRACE		C
				<small>CAE CAD CAM</small>
<small>DWG NO:</small> SA6984				

CONFIDENTIAL: THIS DRAWING AND ITS CONTENTS ARE CONFIDENTIAL AND THE EXCLUSIVE PROPERTY OF HUBBELL/A.B. CHANCE. NO REPRODUCTION, DISTRIBUTION OR DISSEMINATION OF THIS DRAWING OR ANY OF ITS CONTENTS IS PERMITTED WITHOUT THE WRITTEN CONSENT OF HUBBELL/A.B. CHANCE. UNPUBLISHED - ALL RIGHTS RESERVED UNDER THE COPYRIGHT LAWS. © 2000 HUBBELL/A.B. CHANCE.