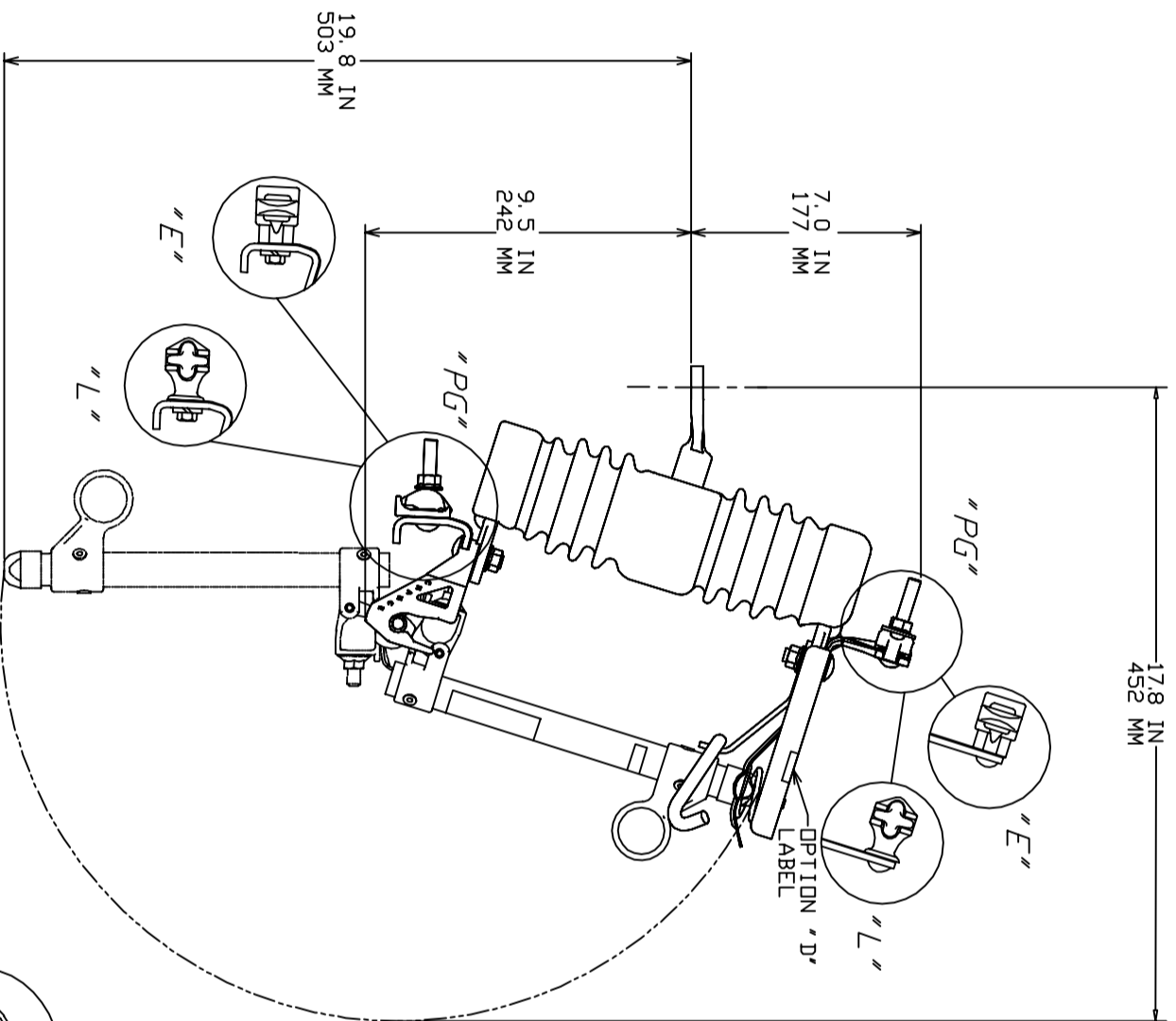
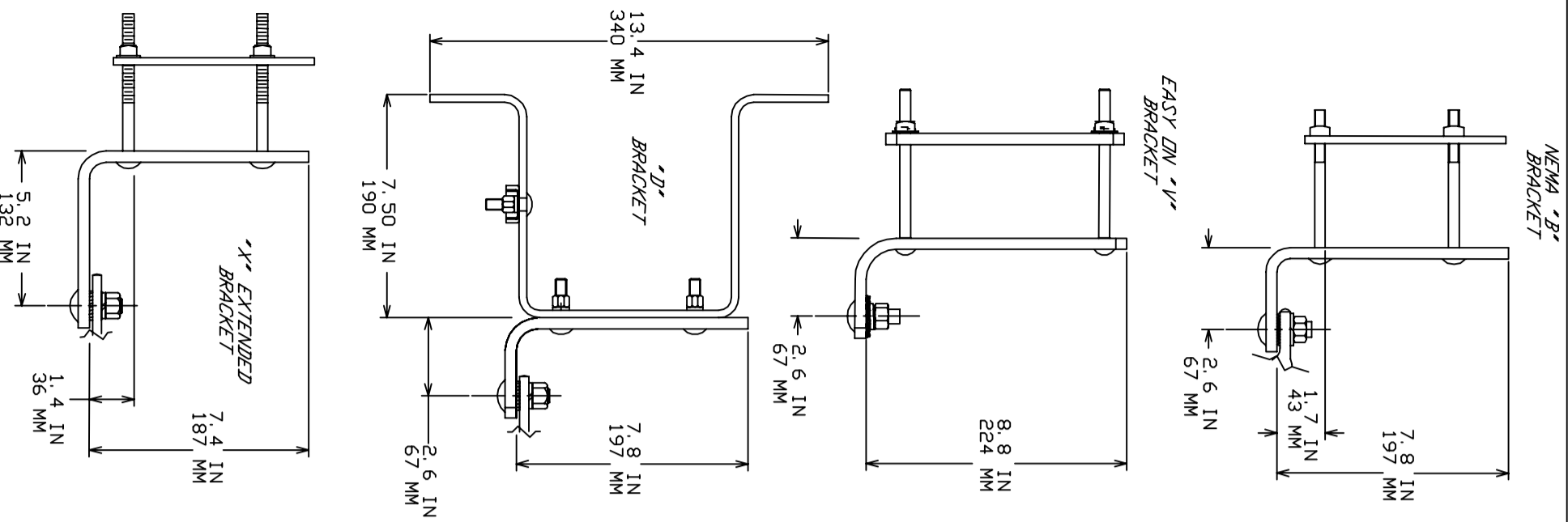


POSITION 7 & 8	KV MAX DESIGN	AMPS	AIC ASYM	FUSEHOLDER DR		BLADE ARC ROD
				"L"	"L"	
12	15	100	10000	11.50 (292 MM)	4.00 IN (102 MM)	NONE
14	15	100	16000	11.59 (294 MM)	3.50 IN (89 MM)	NONE
43	15	200	12000	11.59 (294 MM)	3.50 IN (89 MM)	NONE
33	15	300	12000	11.59 (294 MM)	NONE	NONE

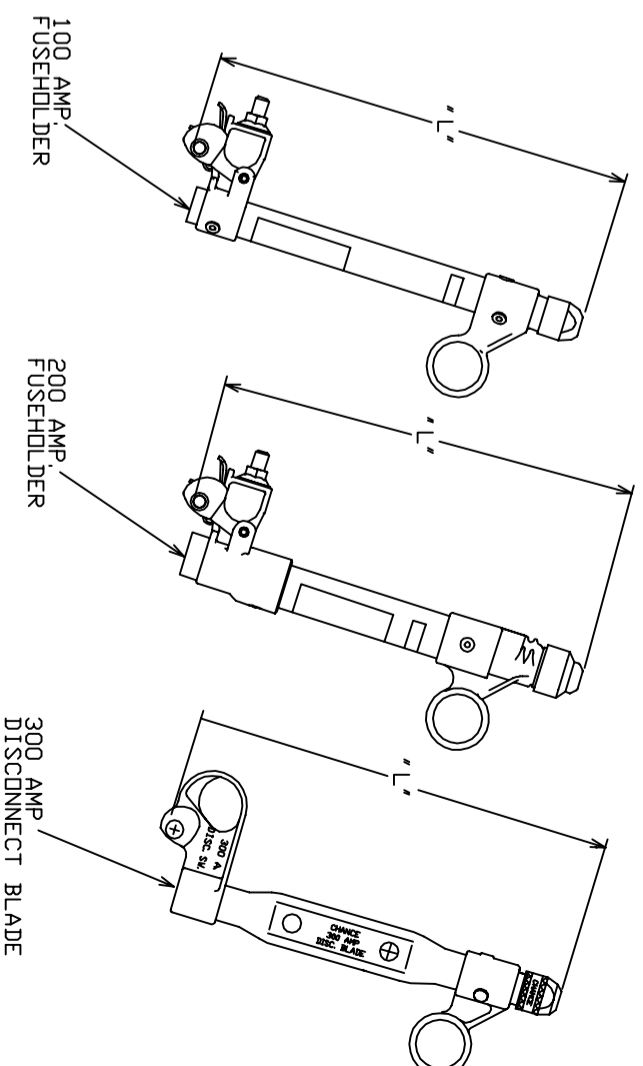


CATALOG NUMBERING SYSTEM

POSITION 1 2 3 4 5 6 7 8 9 10 11

C 7 1 0 - 1

- POSITION 11 SPECIAL OPTIONS
 - D - RATING LABEL
 - F - WILDLIFE PROTECTOR
 - M - MECHANICAL ASSIST FUSEHOLDER
 - S - STAINLESS STEEL
- POSITION 10 MOUNTING BRACKET
 - BLANK DR Z - NO BRACKET
 - B - NEMA "B" BRACKET
 - C - NEMA "B" BRACKET W/6" BOLTS
 - X - EXTENDED BRACKET
 - D - "D" BRACKET
 - V - EASY ON BRACKET
- POSITION 9 TERMINAL OPTIONS
 - P - PG CLAMPS (TIN PLATING)
 - P2 - 2 PIECES PG
 - E - SMALL EYEBOLT TERMINALS
 - R - LARGE EYEBOLT TERMINALS
 - T - ROTATED BOTTOM PG FUSEHOLDER ONLY (POSITION 10 & 11 BLANK)



ASSIST SPRING TYPICAL FOR 100 & 200 AMP FUSEHOLDERS

CHANCE
POWER SYSTEMS, INC.
EC # 67981 SR 01/09/17

HUBBELL POWER SYSTEMS
CUTOUT
110KV_BIL

CONFIDENTIAL: THIS DRAWING AND ITS CONTENTS ARE CONFIDENTIAL AND THE EXCLUSIVE PROPERTY OF HUBBELL POWER SYSTEMS. NO PUBLICATION, DISTRIBUTION OR COPIES MAY BE MADE WITHOUT THE WRITTEN CONSENT OF HUBBELL POWER SYSTEMS. UNPUBLISHED ALL RIGHTS RESERVED UNDER THE COPYRIGHT LAWS.

DO NOT SCALE THIS DRAWING

SIZE	DWG NO.	CAT / PART / ASSY NO.	REV
D	SA710-1	SA710-1	E

DRN BY RLC DATE 11-20-95 SHEET 01_DF_01

DIMENSIONS ARE APPROXIMATE AND FOR REFERENCE ONLY