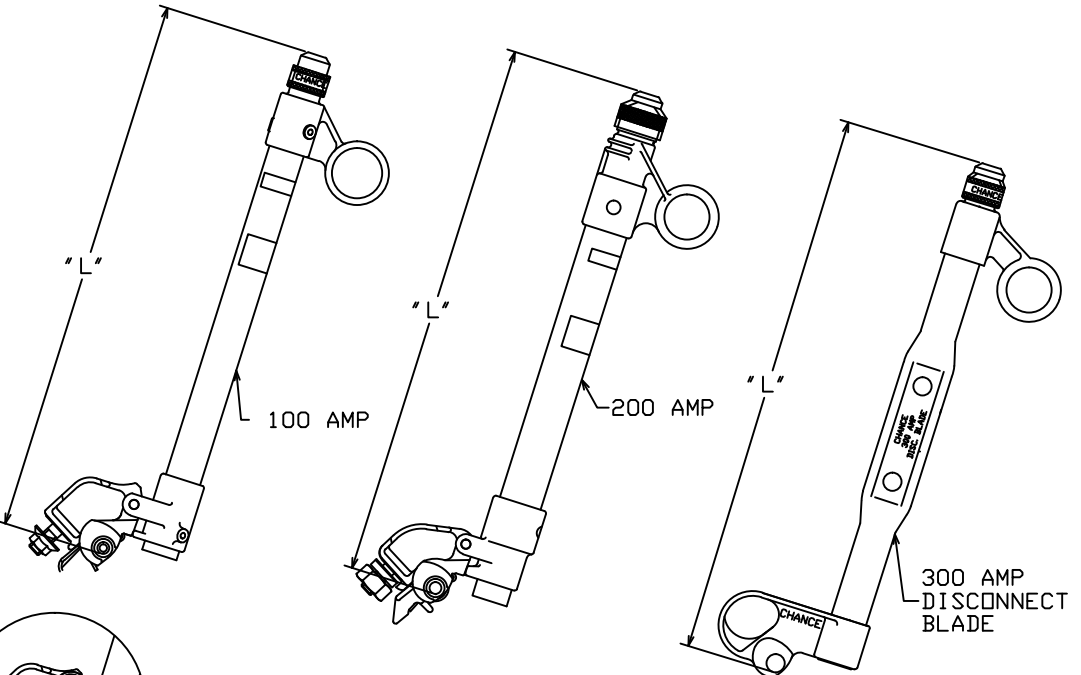
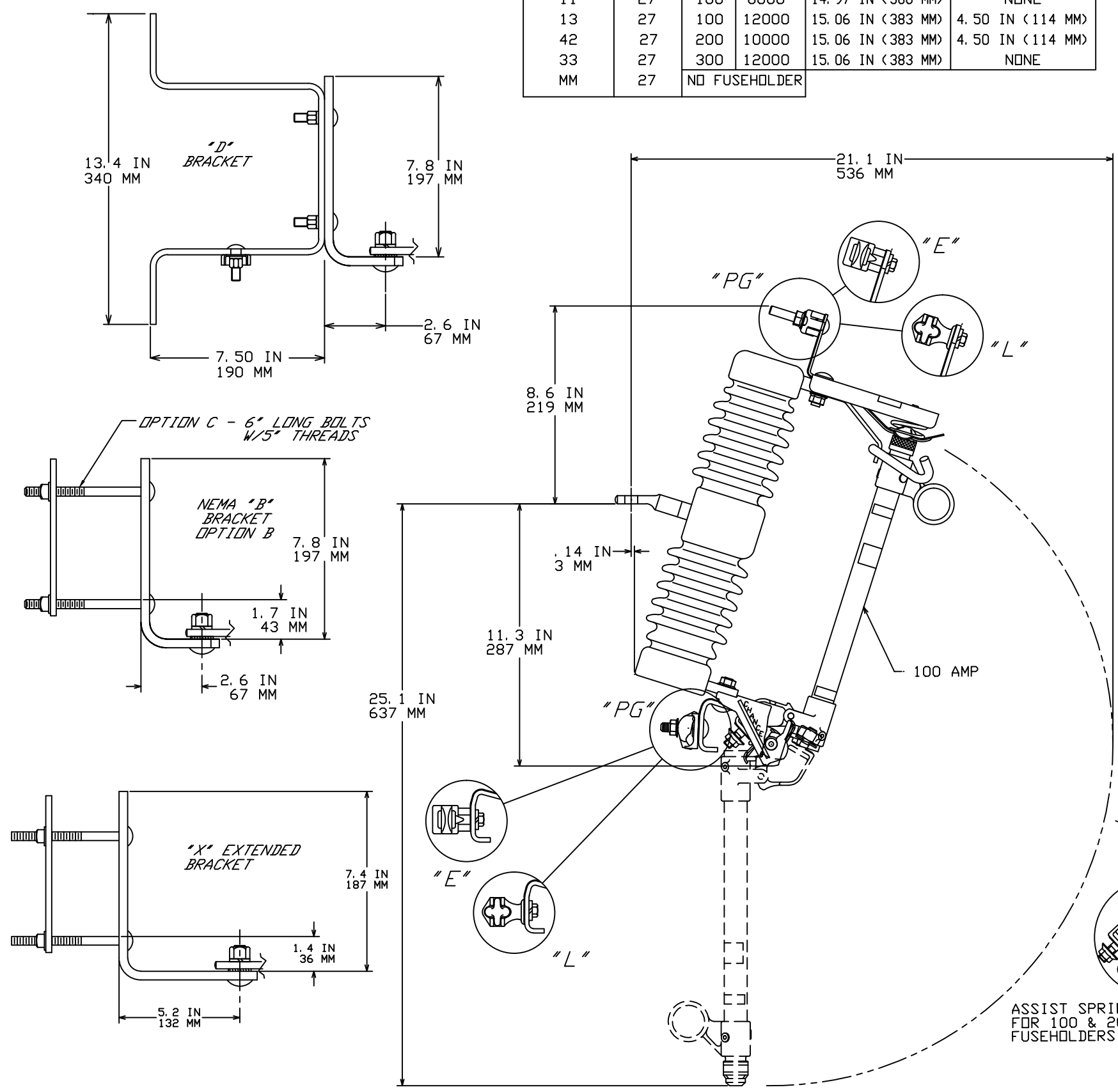


POSITION 7 & 8	KV MAX DESIGN	AMPS	AIC ASYM	FUSEHOLDER "L"	OR	BLADE ARC ROD
11	27	100	8000	14.97 IN (380 MM)		NONE
13	27	100	12000	15.06 IN (383 MM)		4.50 IN (114 MM)
42	27	200	10000	15.06 IN (383 MM)		4.50 IN (114 MM)
33	27	300	12000	15.06 IN (383 MM)		NONE
MM	27	NO FUSEHOLDER				

CATALOG NUMBERING SYSTEM

POSITION
 1 2 3 4 5 6 7 8 9 10 11
 C 7 1 0 - 2

- POSITIONS 7 & 8
FUSEHOLDER
- POSITION 11
SPECIAL OPTIONS
S - STAINLESS STEEL
M - MECHANICAL ASSIST FUSEHOLDER
- POSITION 10
MOUNTING BRACKET
BLANK OR Z - NO BRACKET
B - NEMA "B" BRACKET W/5" LG BOLTS
C - NEMA "B" BRACKET W/6" LG BOLTS
D - "D" BRACKET
X - EXTENDED BRACKET
- POSITION 9
TERMINAL OPTIONS
P - PG CLAMPS (TIN PLATING)
E - SMALL EYEBOLT TERMINALS
L - LARGE EYEBOLT TERMINALS
T - FUSEHOLDER ONLY
(POSITION 10 & 11 BLANK)



DIMENSIONS ARE APPROXIMATE AND FOR REFERENCE ONLY

ASSIST SPRING TYPICAL FOR 100 & 200 AMP FUSEHOLDERS

CHANCE EC # 51854 DAC 08/29/13		HUBBELL POWER SYSTEMS POWER SYSTEMS, INC.	
TITLE			
CUTOUT 125 KV_BIL			
SIZE	DWG NO.	CAT / PART / ASSY NO.	REV
D	SA710-2	SA710-2	E
DO NOT SCALE THIS DRAWING	DRN BY DB	DATE 11-20-95	SHEET 01_OF_01

CONFIDENTIAL: THIS DRAWING AND ITS CONTENTS ARE CONFIDENTIAL AND THE EXCLUSIVE PROPERTY OF HUBBELL POWER SYSTEMS. NO PUBLICATION, DISTRIBUTION OR COPIES MAY BE MADE WITHOUT THE WRITTEN CONSENT OF HUBBELL POWER SYSTEMS. HUBBELL POWER SYSTEMS UNPUBLISHED ALL RIGHTS RESERVED UNDER THE COPYRIGHT LAWS.