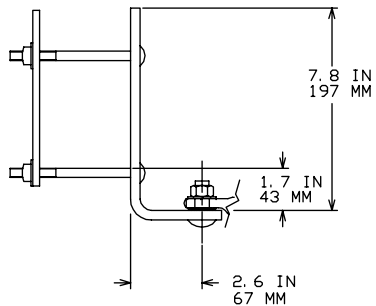


NEMA "B" BRACKET



POSITION 7 & 8	KV MAX DESIGN	AMPS	AIC ASYM	FUSEHOLDER OR	BLADE
				"L"	ARC ROD
11	27	100	8000	14.97 IN (380 MM)	NONE
13	27	100	12000	15.06 IN (382 MM)	4.5 IN (114 MM)
42	27	200	10000	15.06 IN (382 MM)	4.5 IN (114 MM)
33	27	300	12000	15.06 IN (382 MM)	NONE
MM	27	NO FUSEHOLDER			

CATALOG NUMBERING SYSTEM

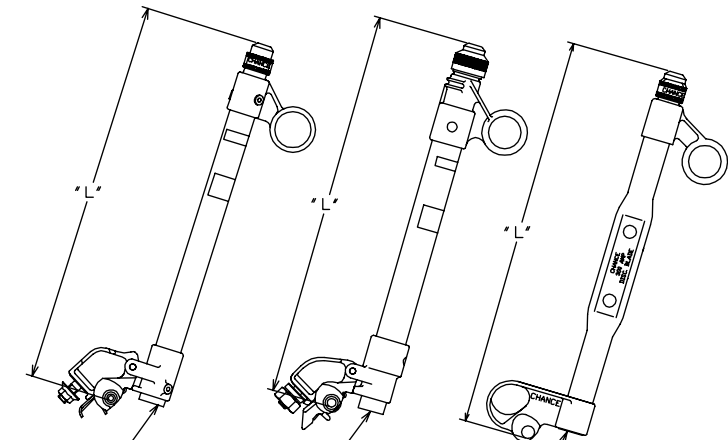
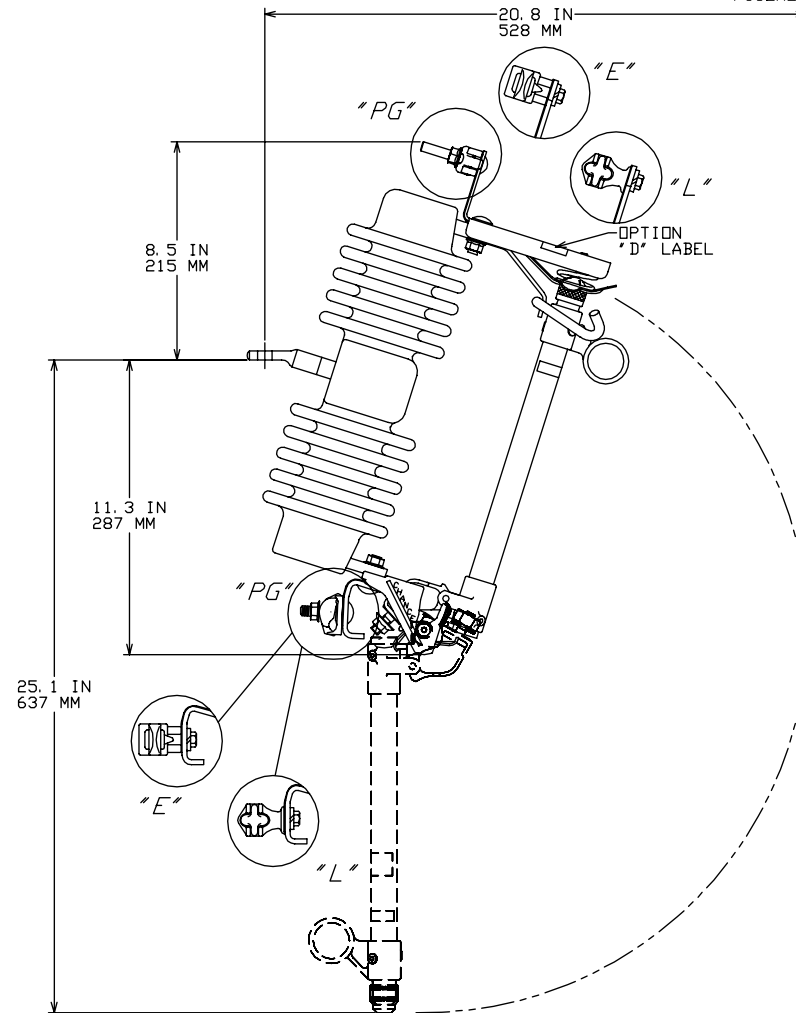
POSITION  
1 2 3 4 5 6 7 8 9 10 11  
C 7 1 0 - 3

POSITION 11  
SPECIAL OPTIONS  
S - STAINLESS STEEL

POSITION 10  
MOUNTING BRACKET  
BLANK OR Z - NO BRACKET  
B - NEMA "B" BRACKET  
X - EXTENDED BRACKET  
D - "D" BRACKET

POSITION 9  
TERMINAL OPTIONS  
P - PG CLAMPS (TIN PLATING)  
E - SMALL EYEBOLT TERMINALS  
L - LARGE EYEBOLT TERMINALS  
T - FUSE HOLDER ONLY  
(POSITION 10 & 11 BLANK)

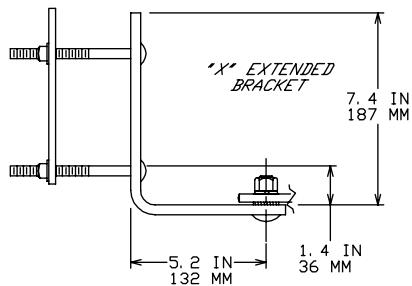
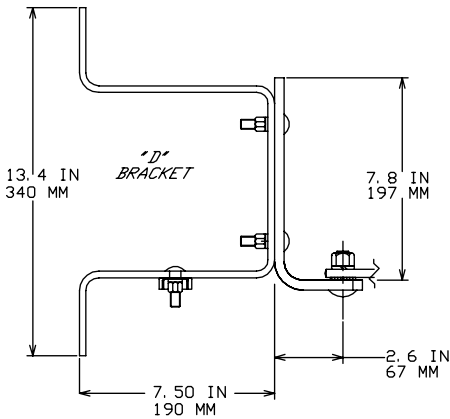
POSITIONS 7 & 8  
FUSEHOLDER



100 AMP.  
FUSEHOLDER

200 AMP.  
FUSEHOLDER

300 AMP.  
DISCONNECT BLADE



ASSIST SPRING TYPICAL  
FOR 100 & 200 AMP  
FUSEHOLDERS

DIMENSIONS ARE APPROXIMATE  
AND FOR REFERENCE ONLY

CHANCE EC # 51855 DAC 8/29/13		HUBBELL POWER SYSTEMS POWER SYSTEMS, INC.	
CONFIDENTIAL: THIS DRAWING AND ITS CONTENTS ARE CONFIDENTIAL AND THE EXCLUSIVE PROPERTY OF HUBBELL POWER SYSTEMS. NO PUBLICATION, DISTRIBUTION OR COPIES MAY BE MADE WITHOUT THE WRITTEN CONSENT OF HUBBELL POWER SYSTEMS. HUBBELL POWER SYSTEMS UNPUBLISHED ALL RIGHTS RESERVED UNDER THE COPYRIGHT LAWS.		TITLE CUTOUT 150 KV_BIL	
SIZE X	DWG NO. SA710-3	CAT / PART / ASSY NO. SA710-3	REV C
DO NOT SCALE THIS DRAWING	DRN BY RLC	DATE 11-20-98	SHEET 01_DF_01