

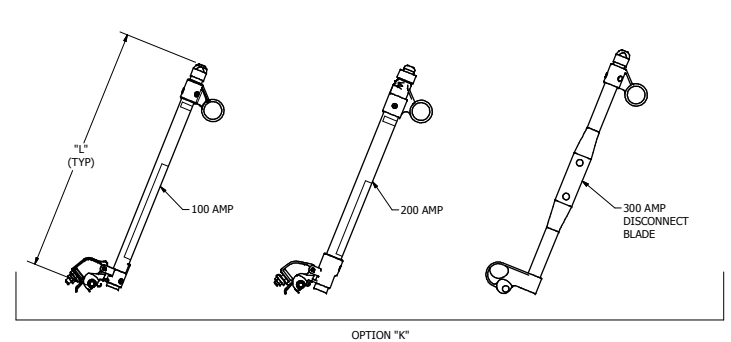
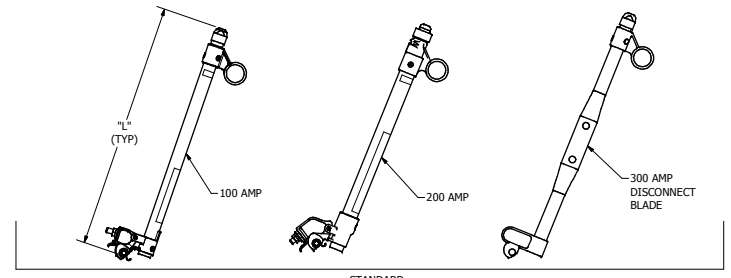
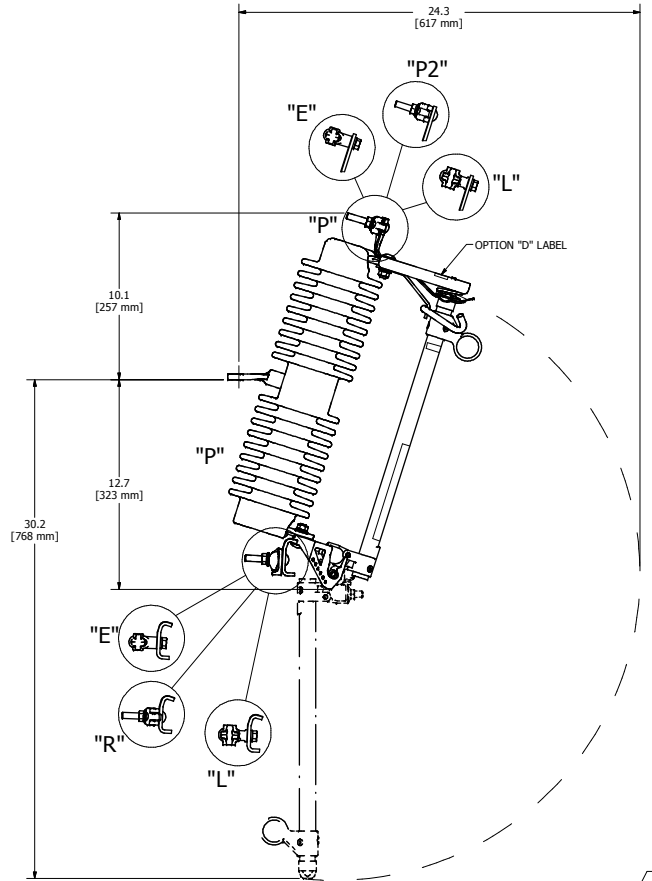
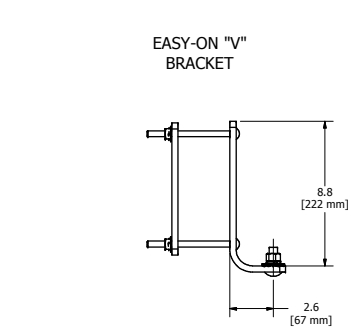
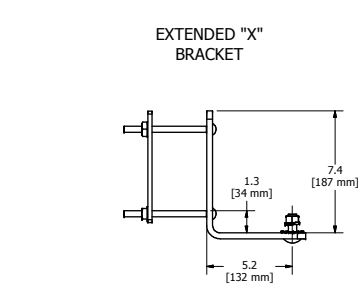
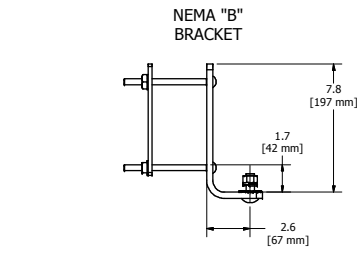
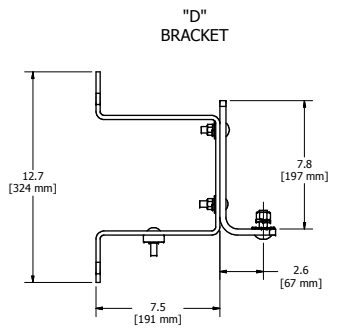
FUSEHOLDER INFORMATION					
POSITION 7 & 8	A	B	C	"L"	ARC ROD
13	36	100	11,200	18.72 IN (475 MM)	8.0 IN (203 MM)
43	36	200	12,000	18.72 IN (475 MM)	8.0 IN (203 MM)
33	36	300	12,000	18.72 IN (475 MM)	NONE
MM	36	-	-	-	-

### CATALOG NUMBERING SYSTEM

POSITION

1 2 3 4 5 6 7 8 9 10 11 12 13  
**C710-7**

- POSITION 7&8 FUSEHOLDER
- POSITION 9 TERMINAL OPTIONS
  - P - PG CLAMPS (TIN PLATING)
  - P2 - PG CLAMPS, 2 PIECE
  - E - SMALL EYEBOLT TERMINALS
  - L - LARGE EYEBOLT TERMINALS
  - R - ROTATED BTM PG
  - T - FUSEHOLDER ONLY (POSITION 10 & 11 BLANKS)
- POSITION 11 - 13 SPECIAL OPTIONS
  - BLANK - NO OPTION
  - D - RATING LABEL
  - F - WILDLIFE PROTECTOR
  - K - TRUNNION W/ KEYHOLE
  - M - MECHANICAL ASSIST FUSEHOLDER
  - S - STAINLESS STEEL
- POSITION 10 MOUNTING BRACKET
  - BLANK OR Z - NO BRACKET
  - B - NEMA "B" BRACKET
  - C - NEMA "B" BRACKET W/6" BOLTS
  - X - EXTENDED BRACKET
  - D - "D" BRACKET
  - V - EASY-ON BRACKET



**CONFIDENTIAL**

DIMENSIONS ARE APPROXIMATE AND FOR REFERENCE ONLY

730 MM LEAKAGE DISTANCE METAL TO METAL

CHANCE		HUBBELL POWER SYSTEMS, INC.	
EC:71152 SR	DATE:09-18-17	HUBBELL POWER SYSTEMS	
CONFIDENTIAL: THIS DRAWING AND ITS CONTENTS ARE CONFIDENTIAL AND THE EXCLUSIVE PROPERTY OF HUBBELL POWER SYSTEMS. NO PUBLICATION, DISTRIBUTION OR COPIES MAY BE MADE WITHOUT THE WRITTEN CONSENT OF HUBBELL POWER SYSTEMS.			
HUBBELL POWER SYSTEMS UNPUBLISHED ALL RIGHTS RESERVED UNDER THE COPYRIGHT LAWS.			
SIZE	SA710-7	CAT / PART / ASSY NO.	C710-7
DO NOT SCALE THIS DRAWING	DRN BY	MARTIN	DATE 05-30-95 SHEET 1 OF 1