

DB = CHID BRASS
MOV = METAL OXIDE VARISTOR

POLYMER ARRESTER				
BRAND	BLOCK	TYPE	KV	POSITION 4 AND 5
DB	SMALL	MOV	9	DL
DB	SMALL	MOV	10	DM
DB	LARGE	MOV	9	EL
DB	LARGE	MOV	10	EM
DB	RISER	MOV	9	FL
DB	RISER	MOV	10	FM

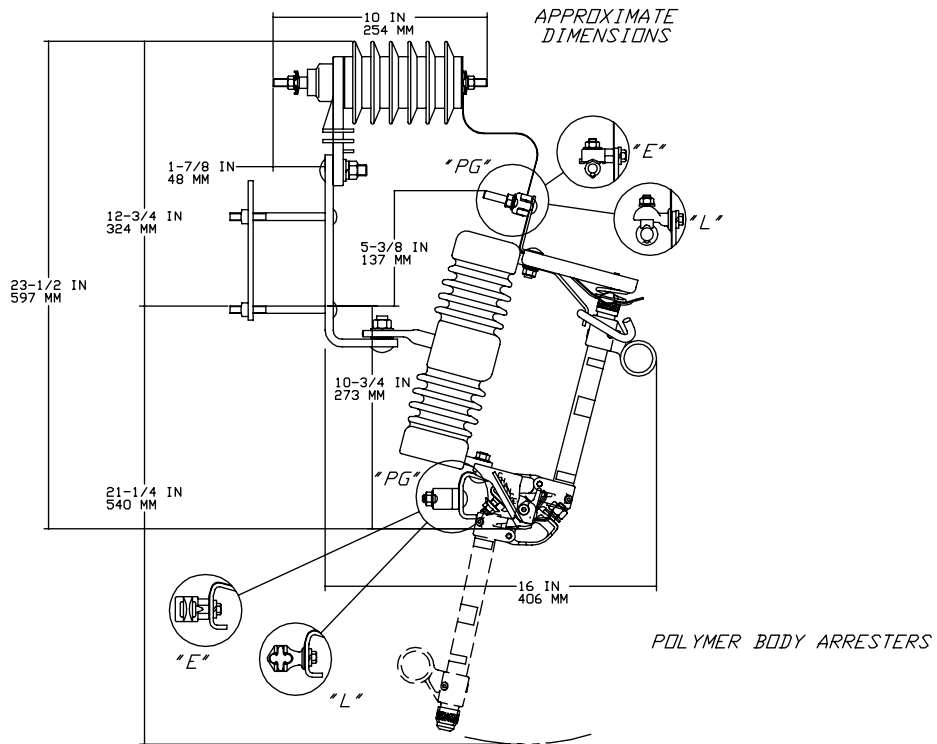
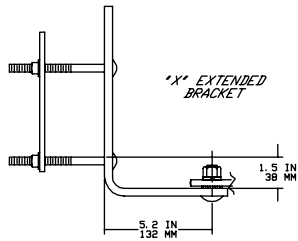
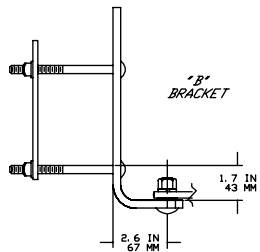
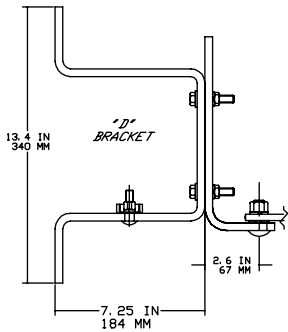
CATALOG NUMBERING SYSTEM

POSITION
1 2 3 4 5 6 7 8 9 10
C 7 1 - - - - -

POSITION 10
MOUNTING BRACKET
B - SIMILAR TO NEMA "B" BRACKET
X - EXTENDED BRACKET
D - "D" BRACKET

POSITION 9
TERMINALS
P - PG CLAMPS
E - SMALL EYEBOLT
L - LARGE EYEBOLT

POSITION 7 & 8	KV MAX	RATED DES.	RATED AMPS	AIC (ASYM)
12	15	100	1000	10000
14	15	100	1600	16000
43	15	200	1200	12000
33	15	300	1200	12000



CHANCE® EC #: 51909 DAC: 08-30-13		HUBBELL® POWER SYSTEMS POWER SYSTEMS, INC.	
TITLE 110KV BIL CUTOUT/ARRESTER			
CONFIDENTIAL: THIS DRAWING AND ITS CONTENTS ARE CONFIDENTIAL AND THE EXCLUSIVE PROPERTY OF HUBBELL POWER SYSTEMS. NO PUBLICATION, DISTRIBUTION OR COPIES MAY BE MADE WITHOUT THE WRITTEN CONSENT OF HUBBELL POWER SYSTEMS. HUBBELL POWER SYSTEMS UNPUBLISHED ALL RIGHTS RESERVED UNDER THE COPYRIGHT LAWS.		SIZE D SA71DL1	CAT / PART / ASSY NO. SA71DL1
DO NOT SCALE THIS DRAWING	DRN BY QUALLS	DATE 01/14/97	REV B SHEET 01 OF 01