

DB = OHIO BRASS
 MOV = METAL OXIDE VARISTOR

CATALOG NUMBERING SYSTEM

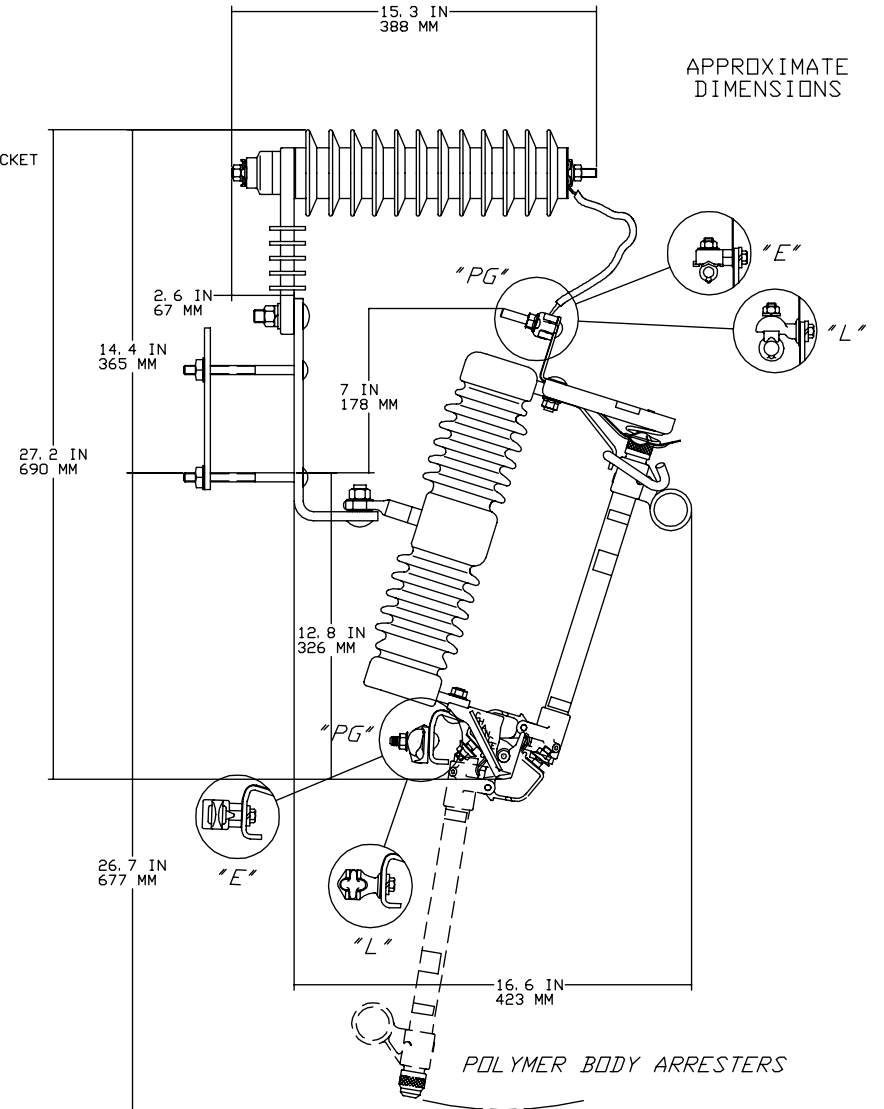
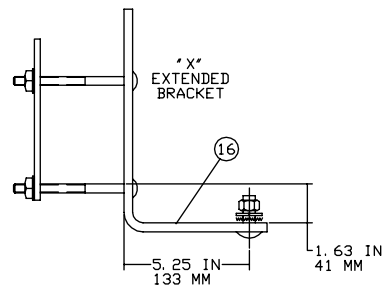
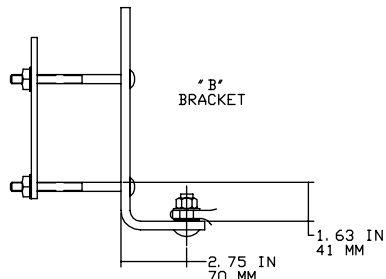
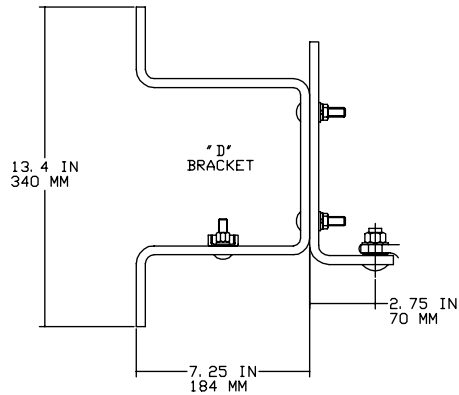
POSITION
 1 2 3 4 5 6 7 8 9 10
 C 7 1 - - 2 - - -

POLYMER ARRESTER				
BRAND	BLOCK	TYPE	KV	POSITION 4 AND 5
DB	SMALL	MOV	18	DN
DB	LARGE	MOV	18	EN
DB	RISER	MOV	18	FN

POSITION 10
 MOUNTING BRACKET
 B - SIMILAR TO NEMA "B" BRACKET
 X - EXTENDED BRACKET
 D - "D" BRACKET

POSITION 9
 TERMINALS
 P - PG CLAMPS
 E - SMALL EYEBOLT
 L - LARGE EYEBOLT

POSITION 7 & 8	KV MAX DES.	RATED AMPS	ATC (ASYM)
11	27	100	8000
14	27	100	12000
43	27	200	10000
33	27	300	12000



APPROXIMATE DIMENSIONS

CHANCE® EC #: 51909 DAC: 08-30-13		HUBBELL® POWER SYSTEMS POWER SYSTEMS, INC.	
TITLE 125KV BIL CUTOUT/ARRESTER			
CONFIDENTIAL: THIS DRAWING AND ITS CONTENTS ARE CONFIDENTIAL AND THE EXCLUSIVE PROPERTY OF HUBBELL POWER SYSTEMS. NO PUBLICATION, DISTRIBUTION OR COPIES MAY BE MADE WITHOUT THE WRITTEN CONSENT OF HUBBELL POWER SYSTEMS. HUBBELL POWER SYSTEMS UNPUBLISHED ALL RIGHTS RESERVED UNDER THE COPYRIGHT LAWS.		SIZE D SA71DN2	REV A
DO NOT SCALE THIS DRAWING	DRN BY GRG	DATE 10/09/01	SHEET 01 OF 01