

OB = OHIO BRASS  
MOV = METAL OXIDE VARISTOR

**CATALOG NUMBERING SYSTEM**

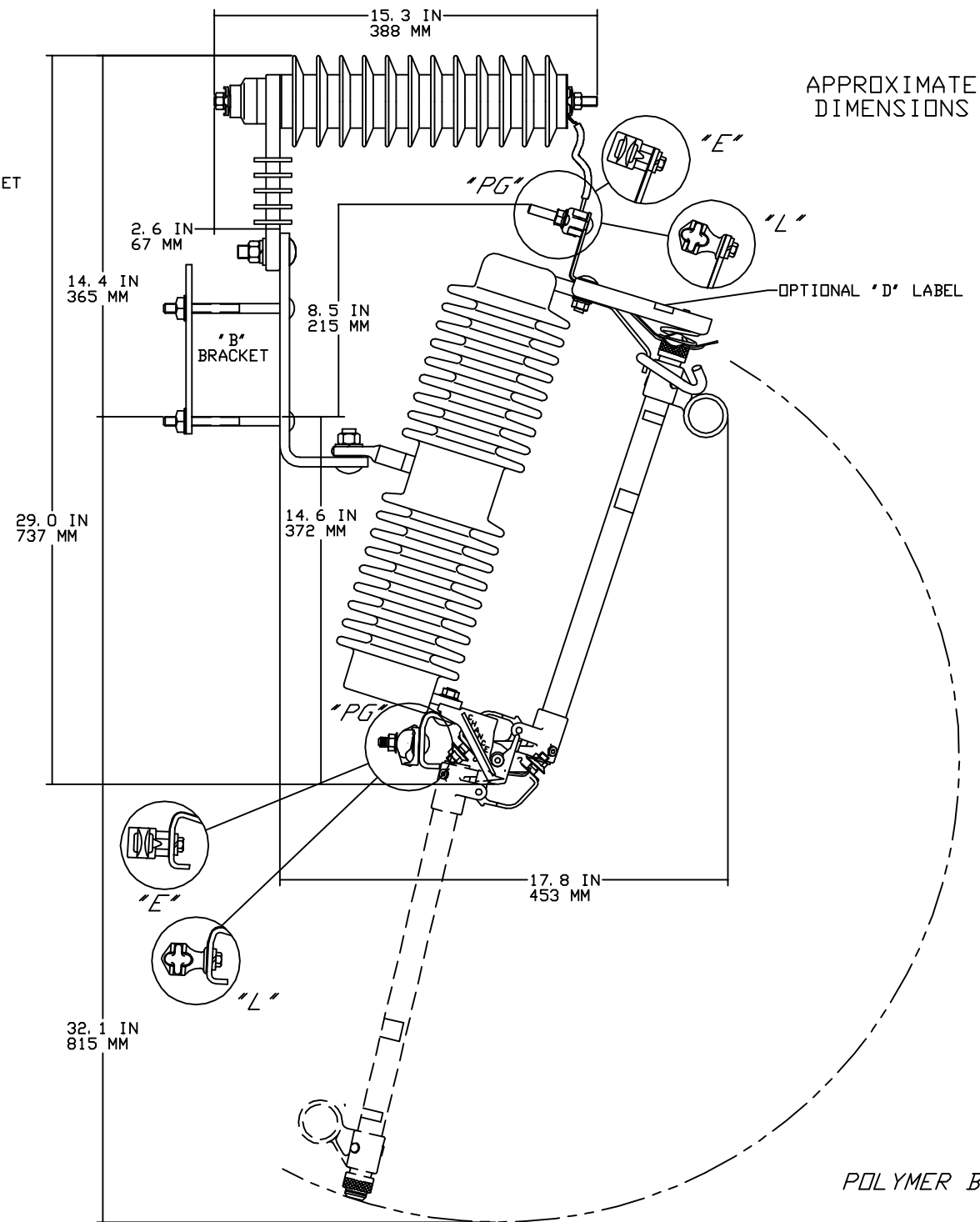
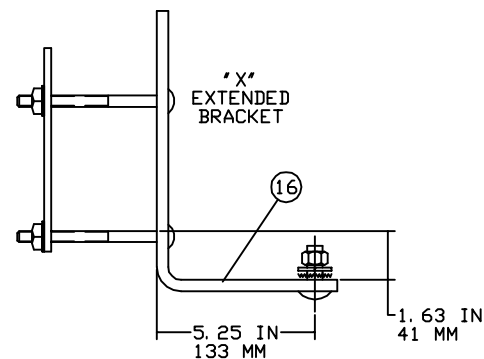
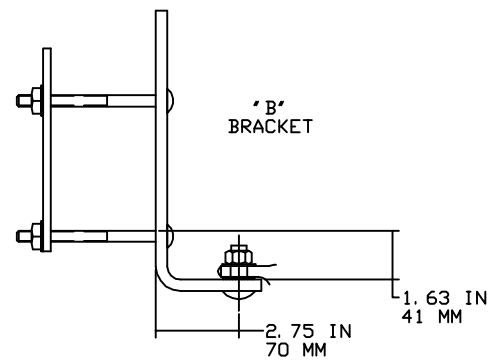
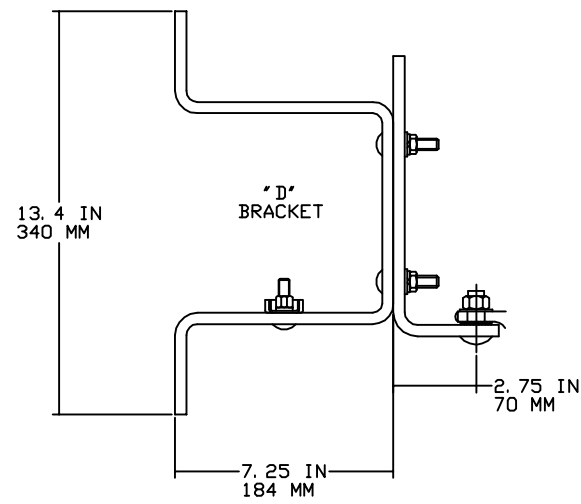
POSITION  
1 2 3 4 5 6 7 8 9 10  
C 7 1 - - 7 - - -

POLYMER ARRESTER				
BRAND	BLOCK	TYPE	KV	POSITION 4 AND 5
OB	SMALL	MOV	18	DN
OB	LARGE	MOV	18	EN
OB	RISER	MOV	18	FN
OB	SMALL	MOV	27	DP
OB	LARGE	MOV	27	EP
OB	RISER	MOV	27	FP

POSITION 7 & 8	KV MAX DES.	RATED AMPS	AIC (ASYM)
13	36	100	12000
43	27	200	12000
33	36	300	12000

POSITION 10  
MOUNTING BRACKET  
B - SIMILAR TO NEMA "B" BRACKET  
X - EXTENDED BRACKET  
D - "D" BRACKET

POSITION 9  
TERMINALS  
P - PG CLAMPS  
E - SMALL EYEBOLT  
L - LARGE EYEBOLT



APPROXIMATE DIMENSIONS

POLYMER BODY ARRESTERS

CHANCE EC #: 55929 DAC: 05-29-14		HUBBELL® POWER SYSTEMS POWER SYSTEMS, INC.	
TITLE 170KV BIL (720MM) CUTOUT/ARRESTER			
SIZE D	DWG NO. SA71DN7	CAT / PART / ASSY NO. SA71DN7	REV B
DO NOT SCALE THIS DRAWING	DRN BY GRG	DATE 12/12/01	SHEET 01 OF 01

CONFIDENTIAL: THIS DRAWING AND ITS CONTENTS ARE CONFIDENTIAL AND THE EXCLUSIVE PROPERTY OF HUBBELL POWER SYSTEMS. NO PUBLICATION, DISTRIBUTION OR COPIES MAY BE MADE WITHOUT THE WRITTEN CONSENT OF HUBBELL POWER SYSTEMS. HUBBELL POWER SYSTEMS UNPUBLISHED ALL RIGHTS RESERVED UNDER THE COPYRIGHT LAWS.