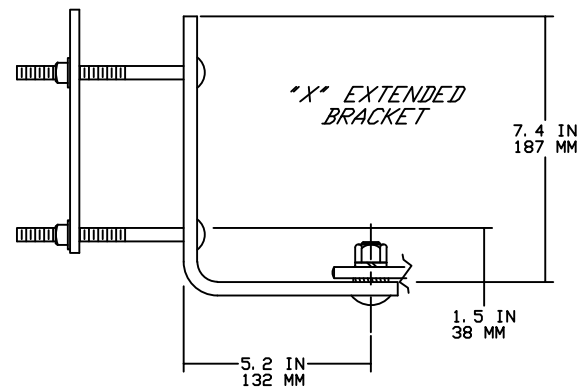
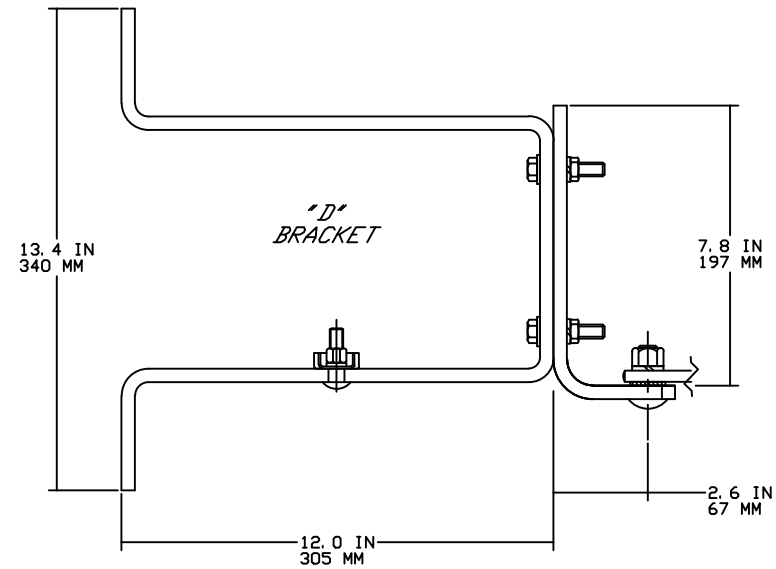
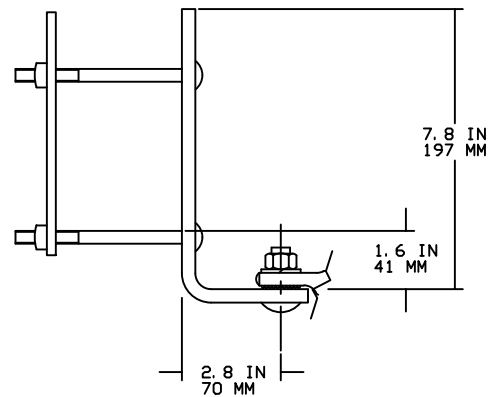


NEMA "B" BRACKET



CATALOG NUMBERING SYSTEM

POSITION  
1 2 3 4 5 6 7 8 9 10 11  
C 7 2 0 - 1

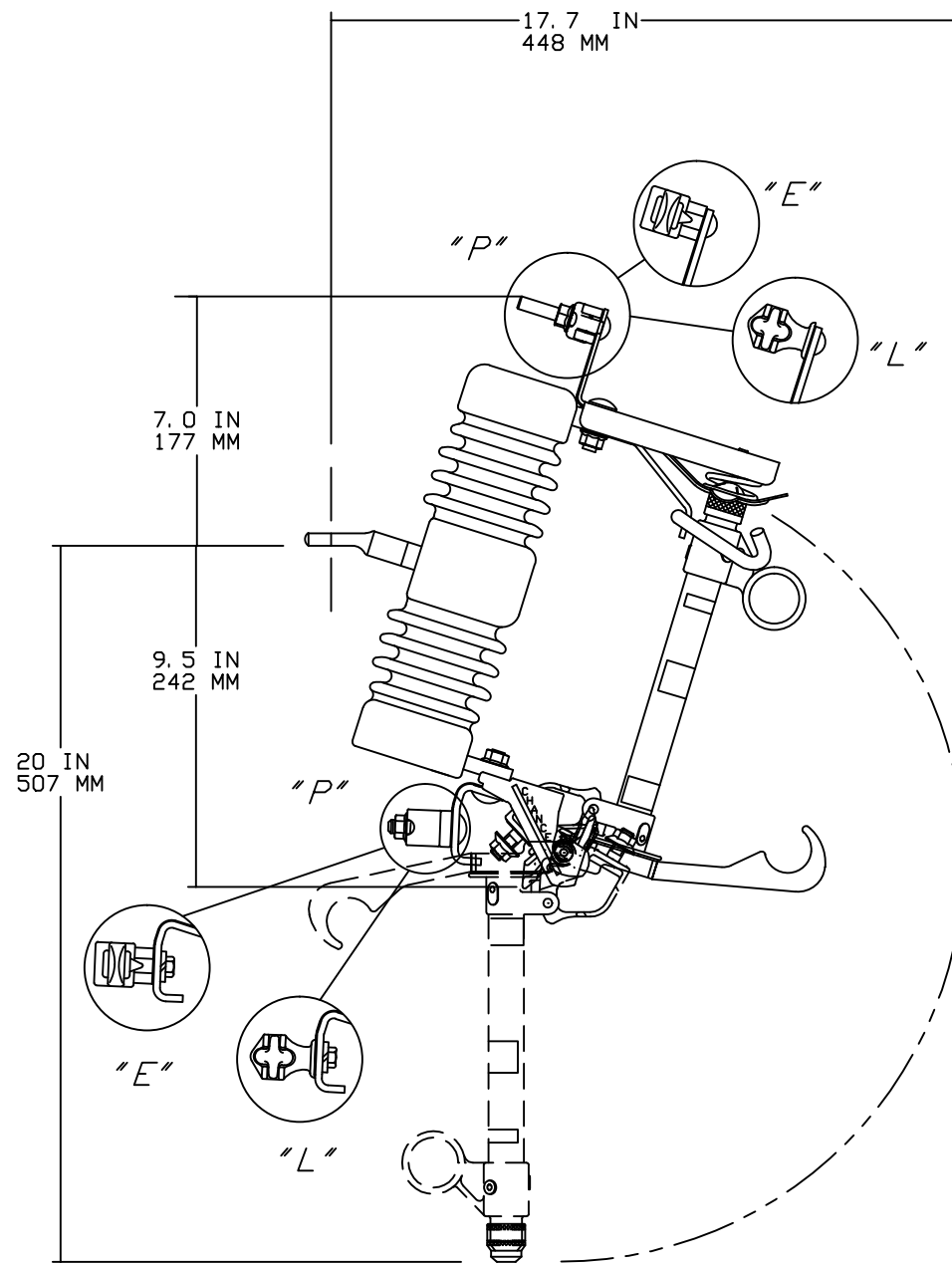
POSITION 11  
SPECIAL OPTIONS  
F - WILDLIFE PROTECTOR  
M - MECHANICAL ASSIST FUSEHOLDER  
S - STAINLESS STEEL

POSITION 10  
MOUNTING BRACKET  
BLANK OR Z - NO BRACKET  
B - NEMA "B" BRACKET  
X - EXTENDED BRACKET  
D - "D" BRACKET

POSITION 9  
TERMINAL OPTIONS  
P - PG CLAMPS (TIN PLATING)  
E - SMALL EYEBOLT TERMINALS  
L - LARGE EYEBOLT TERMINALS  
T - FUSEHOLDER ONLY  
(POSITION 10 & 11 BLANK)

POSITIONS 7 & 8  
FUSEHOLDER

POSITION 7 & 8	KV MAX DESIGN	AMPS	AIC ASYM	LOADBREAK RATINGS	
				INDUCTIVE AMPERES	CAPACITIVE AMPERES
12	15	100	10000	100	100
14	15	100	16000	100	100



DIMENSIONS ARE APPROXIMATE  
AND FOR REFERENCE ONLY

CHANCE® EC #: x51854 DAC: 08-29-13		HUBBELL® POWER SYSTEMS POWER SYSTEMS, INC.	
TITLE CUTOUT, LINKBREAK 110 KV BIL			
SIZE D	DWG NO. SA720-1	CAT / PART / ASSY NO. SA720-1	REV B
DO NOT SCALE THIS DRAWING		DRN BY MARTIN	DATE 01-29-98 SHEET 01 OF 01

CONFIDENTIAL: THIS DRAWING AND ITS  
CONTENTS ARE CONFIDENTIAL AND THE  
EXCLUSIVE PROPERTY OF HUBBELL  
POWER SYSTEMS. NO PUBLICATION,  
DISTRIBUTION OR COPIES MAY BE MADE  
WITHOUT THE WRITTEN CONSENT OF  
HUBBELL POWER SYSTEMS.  
HUBBELL POWER SYSTEMS UNPUBLISHED  
ALL RIGHTS RESERVED UNDER THE  
COPYRIGHT LAWS.