

POSITION 7 & 8 FUSE HOLDER							
POSITION 7&8	KV MAX	AMPS	AIC ASYM	CAPACITIVE LDBK RATING	INDUCTIVE LDBK RATING	"L"	ARC ROD
11	22/36.4	100	8,000	100	100	15.12 (384MM)	NONE
13	22/36.4	100	12,000	100	100	15.12 (384MM)	4.50 (114MM)
MM	-	-	-	-	-	-	-

CATALOG NUMBERING SYSTEM

POSITION

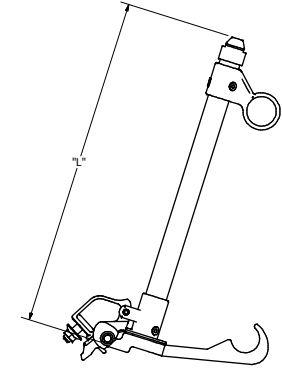
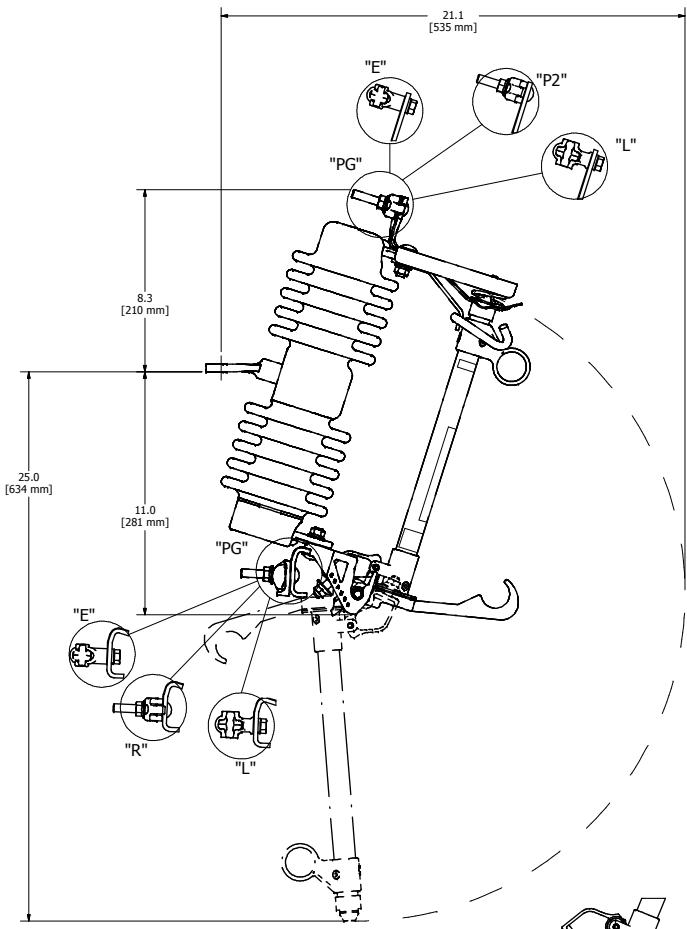
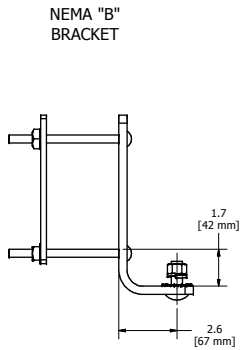
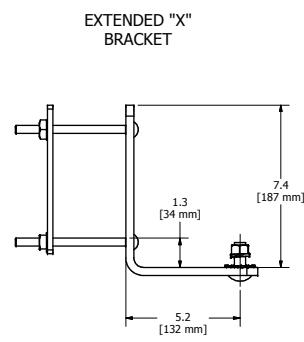
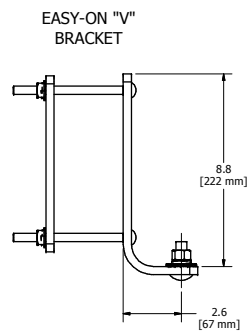
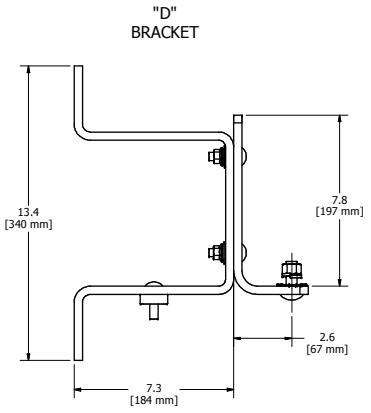
1 2 3 4 5 6 7 8 9 10 11 12 13

C 7 2 0 - 3

T

FOR MOUNTING ONLY

- POSITIONS 7 & 8 FUSEHOLDER
- POSITION 11-13 SPECIAL OPTIONS
 - BLANK - NO OPTION
 - D - RATING LABEL
 - F - WILDLIFE PROTECTOR
 - M - MECHANICAL ASSIST FUSEHOLDER
 - S - STAINLESS STEEL
- POSITION 10 MOUNTING BRACKET
 - BLANK OR Z - NO BRACKET
 - B - NEMA "B" BRACKET
 - C - NEMA "B" W/6" BOLTS
 - X - EXTENDED BRACKET
 - D - "D" BRACKET
 - V - EASY-ON BRACKET
- POSITION 9 TERMINAL
 - P - PG CLAMPS
 - P2 - PG CLAMP 2PIECE
 - E - SMALL EYEBOLT
 - L - LARGE EYEBOLT
 - R - BOTTOM ROTATED PG
 - T - FUSEHOLDER ONLY (POSITION 10 & 11 BLANK)



FUSEHOLDER WITH MECHANICAL ASSIST SPRING

DIMENSION ARE APPROXIMATE AND FOR REFERENCE ONLY

CHANCE EC:71035 SR DATE:09-08-17			
CONFIDENTIAL: THIS DRAWING AND ITS CONTENTS ARE CONFIDENTIAL AND THE EXCLUSIVE PROPERTY OF HUBBELL POWER SYSTEMS. NO PUBLICATION, DISTRIBUTION OR COPIES MAY BE MADE WITHOUT THE WRITTEN CONSENT OF HUBBELL POWER SYSTEMS. HUBBELL POWER SYSTEMS UNPUBLISHED ALL RIGHTS RESERVED UNDER THE COPYRIGHT LAWS			
TITLE CUTOUT, LINKBREAK 150 KV BIL		REV B	
SIZE D	DWG NO. SA720-3	CAT / PART / ASSY NO. SA720-3	DO NOT SCALE THIS DRAWING
DRN BY MARTIN	DATE 01-30-98	SHEET 1 OF 1	