

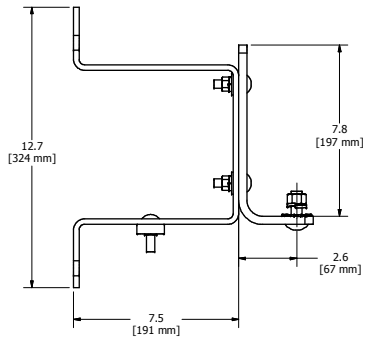
POSITION 7 & 8 FUSE HOLDER							
POSITION 7&8	KV MAX	AMPS	AIC AS	CAPACITIVE LDBK RATING	INDUCTIVE LDBK RATING	"L"	ARC ROD
13	36	100	12,000	50	100	18.71 (475 MM)	8.0 (203 MM)
MM	22/36.4	-	-	-	-	-	-

CATALOG NUMBERING SYSTEM
POSITION

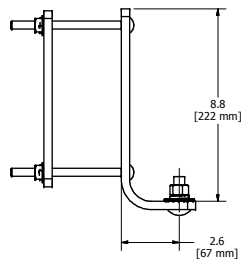
1 2 3 4 5 6 7 8 9 10 11 12 13
C720-6

- POSITIONS 7 & 8 FUSEHOLDER
- POSITION 11-13 SPECIAL OPTIONS
 - BLANK - NO OPTION
 - D - RATING LABEL
 - F - WILDLIFE PROTECTOR
 - M - MECHANICAL ASSIST FUSEHOLDER
 - S - STAINLESS STEEL
- POSITION 10 MOUNTING BRACKET
 - BLANK OR Z - NO BRACKET
 - B - NEMA "B" BRACKET
 - C - NEMA "B" W/6" BOLTS
 - X - EXTENDED BRACKET
 - D - "D" BRACKET
 - V - EASY-ON BRACKET
- POSITION 9 TERMINAL
 - P - PG CLAMPS
 - P2 - PG CLAMP 2PIECE
 - E - SMALL EYEBOLT
 - L - LARGE EYEBOLT
 - R - BOTTOM ROTATED PG
 - T - FUSEHOLDER ONLY (POSITION 10 & 11 BLANK)

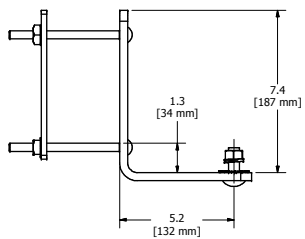
"D" BRACKET



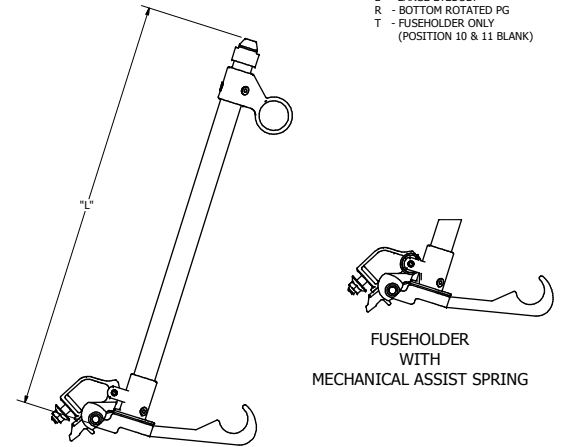
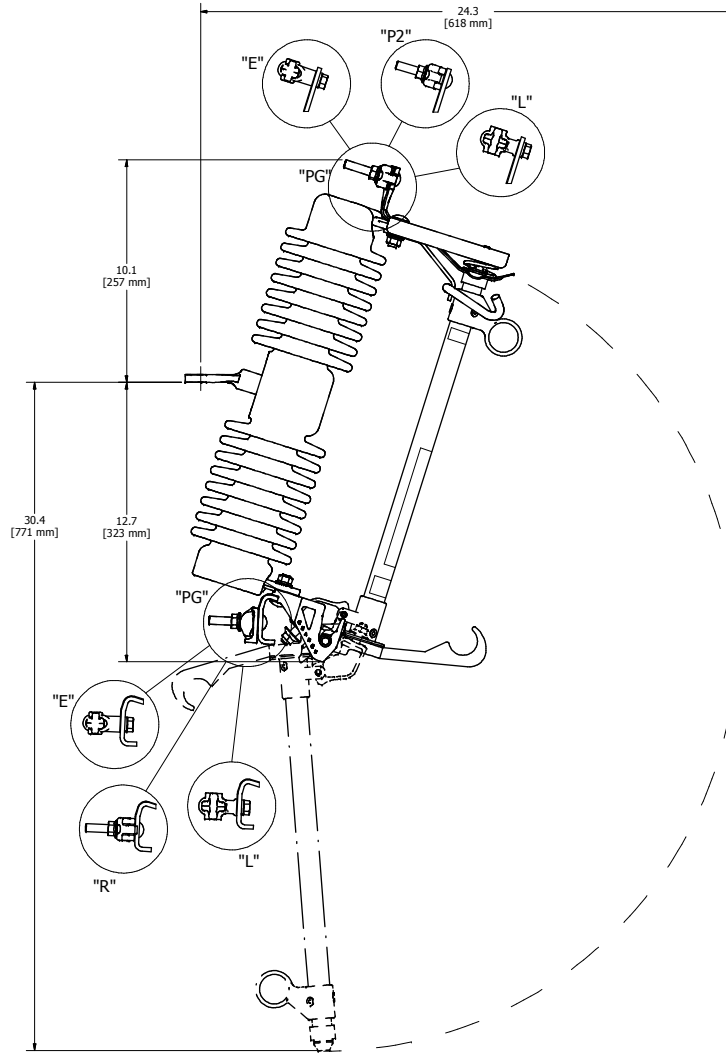
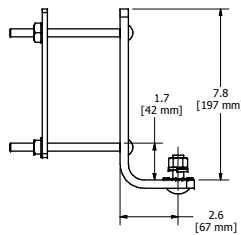
EASY-ON "V" BRACKET



EXTENDED "X" BRACKET



NEMA "B" BRACKET



DIMENSION ARE APPROXIMATE AND FOR REFERENCE ONLY

CHANCE			
EC:71152 SR DATE:09-18-17		HUBBELL POWER SYSTEMS CUTOUT, LINKBREAK 170 KV BIL	
SIZE	DWG NO.	CAT / PART / ASSY NO.	REV
D	SA720-6	C720-6	B
DO NOT SCALE THIS DRAWING	DRN BY	DATE	SHEET
	MARTIN	01-30-98	1 OF 1