

CATALOG NUMBERING SYSTEM

POSITION
1 2 3 4 5 6 7 8 9 10

C 7 2 - - 1 - - -

DH10 BRASS POLYMER ARRESTER	
ARRESTER DESCRIPTION	POSITION 4 AND 5
DB, RISER, MOV, PMR, 10 KV	FM
DB, RISER, MOV, PMR, 9 KV	FL
DB, LARGE, MOV, PMR, 10 KV	EM
DB, LARGE, MOV, PMR, 9 KV	EL
DB, SMALL, MOV, PMR, 10 KV	DM
DB, SMALL, MOV, PMR, 9 KV	DL

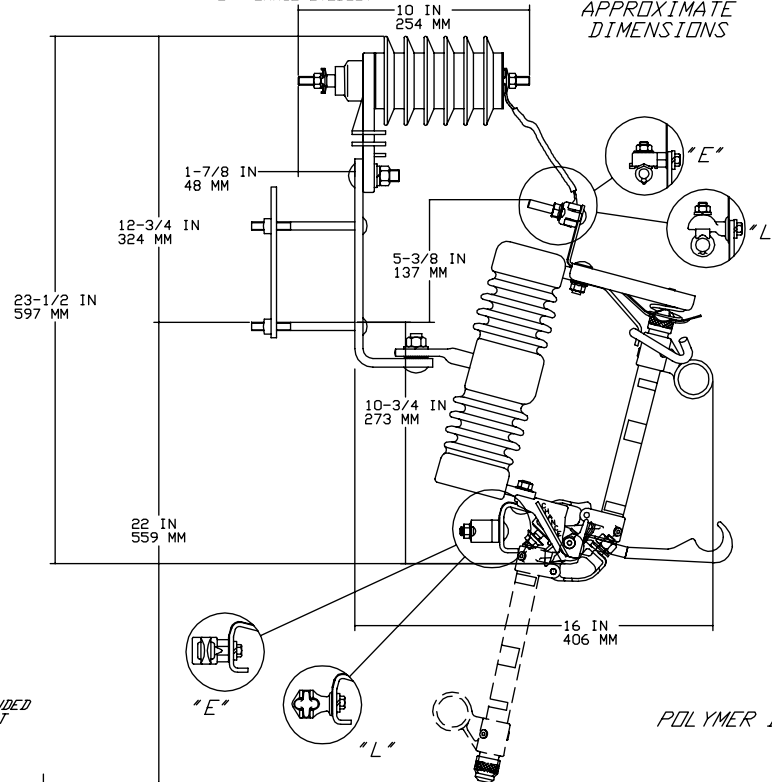
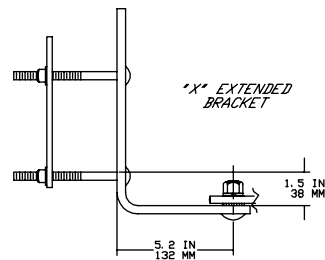
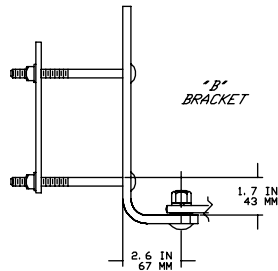
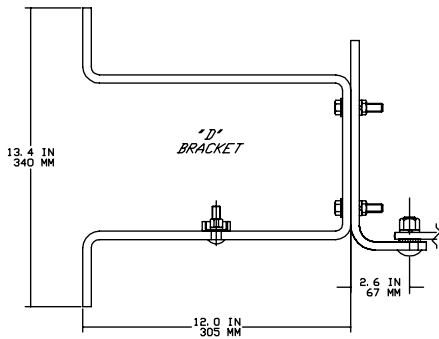
MOV = METAL OXIDE VARISTOR
VGP = VARIGAP™

POSITION 7 & 8	KV MAX DES.	RATED AMPS	AIC (ASYM)
12	15	100	10000
14	15	100	16000

POSITION 10
MOUNTING BRACKET
B - SIMILAR TO NEMA "B" BRACKET
X - EXTENDED BRACKET
D - "D" BRACKET

POSITION 9
TERMINALS
P - PG CLAMPS
E - SMALL EYEBOLT
L - LARGE EYEBOLT

APPROXIMATE DIMENSIONS



POLYMER BODY ARRESTERS

CHANCE® EC #: 51909 DAC: 08-30-13		HUBBELL® POWER SYSTEMS POWER SYSTEMS, INC.	
TITLE: 110KV BIL LINKBREAK CUTOUT/ARRESTER			
CONFIDENTIAL: THIS DRAWING AND ITS CONTENTS ARE CONFIDENTIAL AND THE EXCLUSIVE PROPERTY OF HUBBELL POWER SYSTEMS. NO PUBLICATION, DISTRIBUTION OR COPIES MAY BE MADE WITHOUT THE WRITTEN CONSENT OF HUBBELL POWER SYSTEMS. HUBBELL POWER SYSTEMS UNPUBLISHED ALL RIGHTS RESERVED UNDER THE COPYRIGHT LAWS.		SIZE: DWG NO. D SA72DL1	CAT / PART / ASSY NO. SA72DL1
DO NOT SCALE THIS DRAWING	DRN BY QUALLS	DATE 01/14/97	REV A SHEET 01 OF 01