

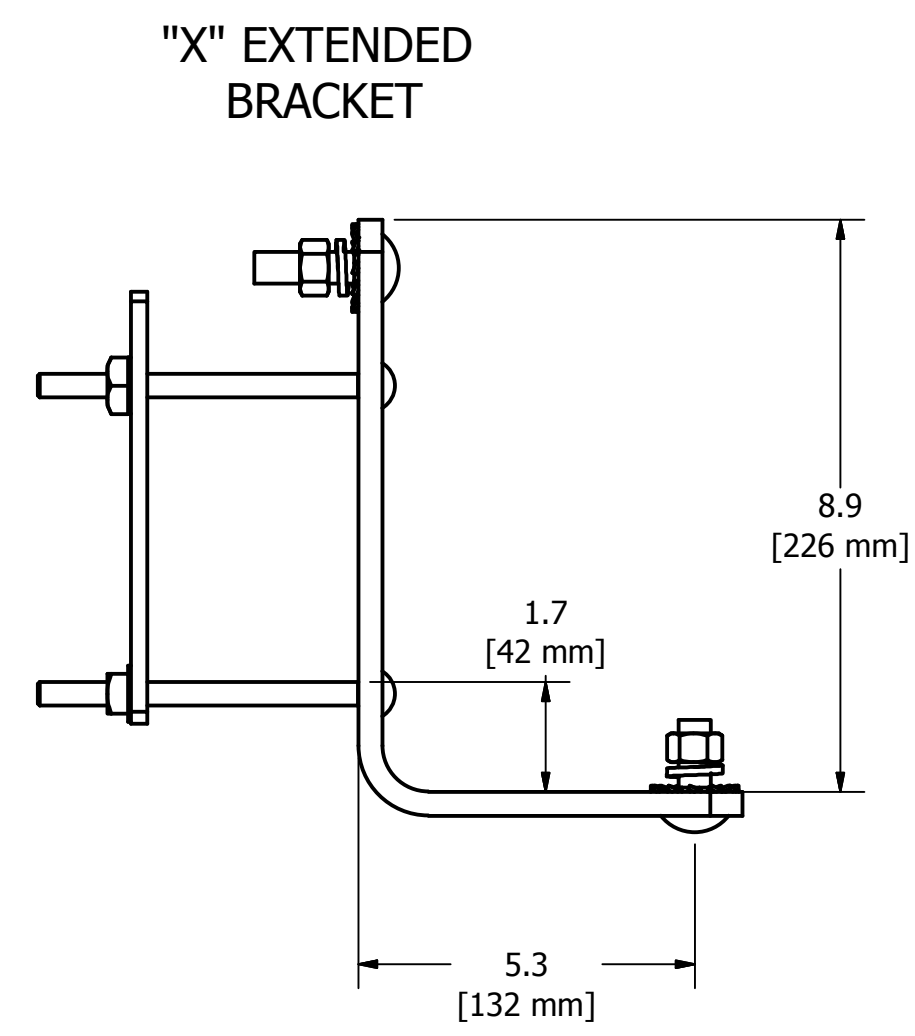
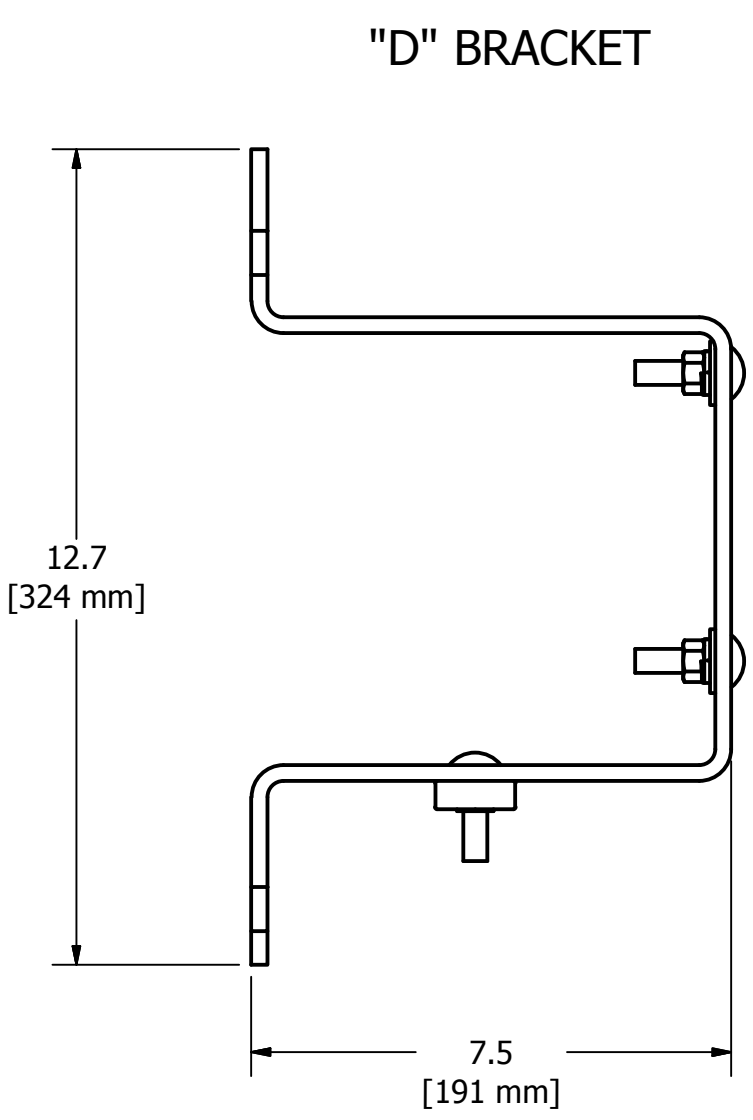
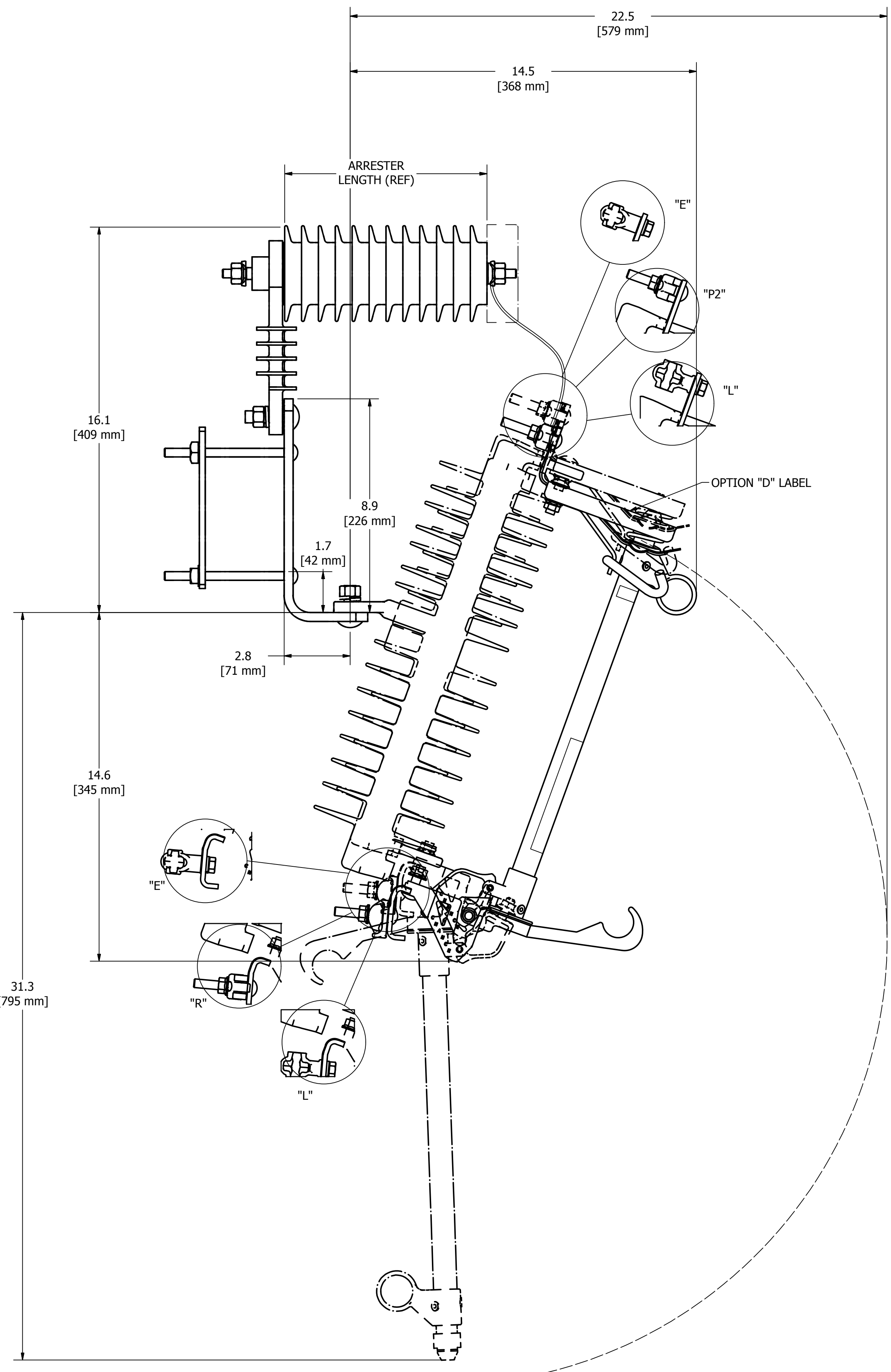
8 7 6 5 4 3 2 1

D

C

B

A



CATALOG NUMBERING SYSTEM

POSITION

1 2 3 4 5 6 7 8 9 10 11

C 7 2 6

POSITIONS 4 & 5 ARRESTER

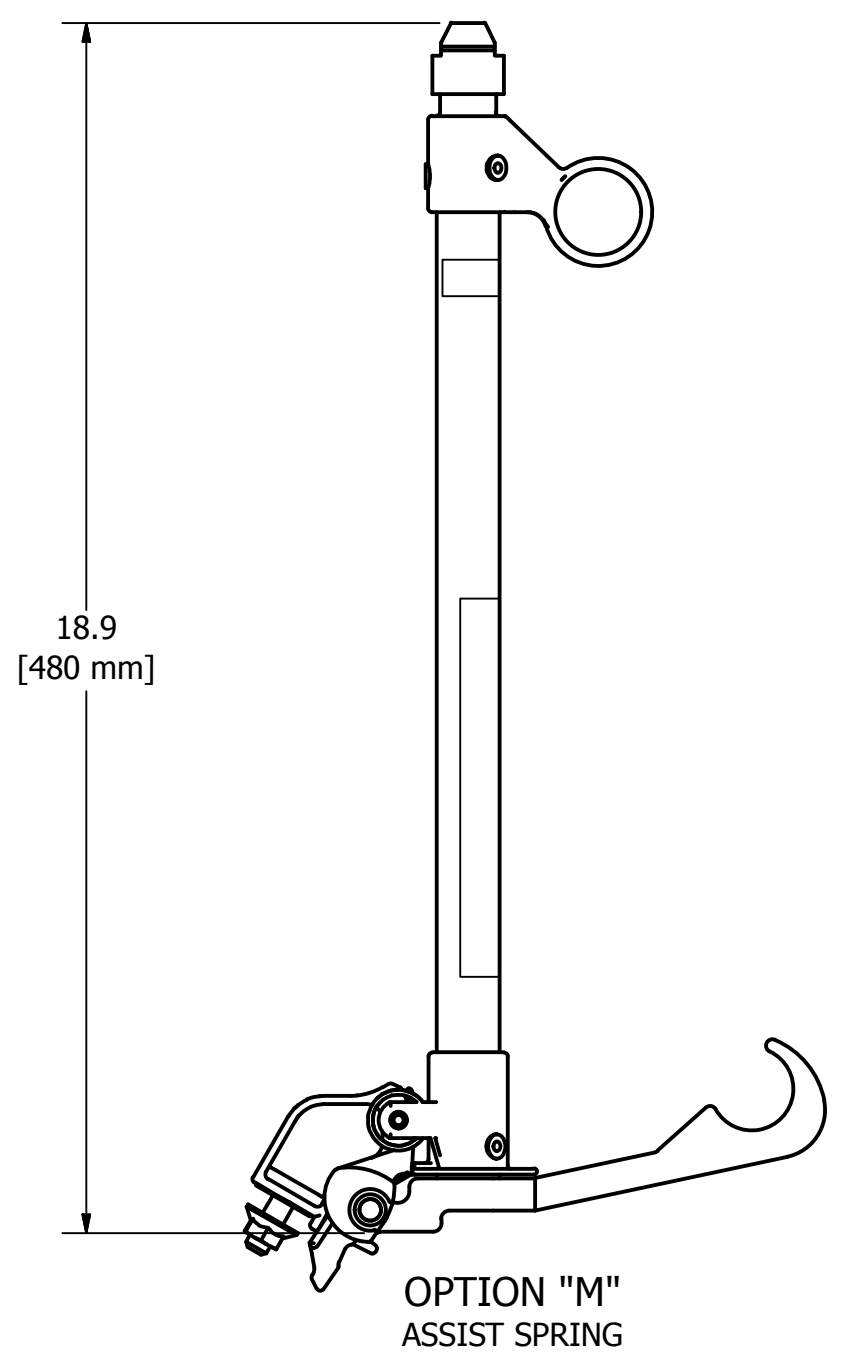
POSITIONS 7 & 8 FUSEHOLDER

POSITIONS 7&8	MAX DESIGN KV	RATED	AIC (ASYM)
13	22/36.4	100	12,000
MM	--	--	--

POSITION 11 - 13 SPECIAL OPTION
 D - RATING LABEL
 M - MECHANICAL ASSIST SPRING
 S - STAINLESS STEEL

POSITION 10
 MTG. BRACKET
 Z OR BLANK - NO BRACKET
 B - STD, SIMILAR TO NEMA B
 X - EXTENDED BRACKET
 D - "D" BRACKET

POSITION 9
 TERMINAL/MTG. ASSY
 P - PG CLAMP
 P2 - PG CLAMP 2-PIECE
 E - SMALL EYEBOLT TERMINAL
 L - LARGE EYEBOLT TERMINAL
 R - ROTATED BOTTOM PG



CHANCE® EC:75348 DATE:08-14-2018		HUBBELL® POWER SYSTEMS, INC. HUBBELL POWER SYSTEMS	
CONFIDENTIAL: THIS DRAWING AND ITS CONTENTS ARE CONFIDENTIAL AND THE EXCLUSIVE PROPERTY OF HUBBELL POWER SYSTEMS. NO PUBLICATION, DISTRIBUTION OR COPIES MAY BE MADE WITHOUT THE WRITTEN CONSENT OF HUBBELL POWER SYSTEMS. HUBBELL POWER SYSTEMS UNPUBLISHED ALL RIGHTS RESERVED UNDER THE COPYRIGHT LAWS		TITLE CUTOUT, ARRESTER 36KV 170 BIL POLYMER	
SIZE D	DWG NO. SA72DN6	CAT / PART / ASSY NO. SEE CHART	REV A
DO NOT SCALE THIS DRAWING	DRN BY WITCHER	DATE 08-14-2018	SHEET 1 OF 1

8 7 6 5 4 3 2 1