

# CATALOG NUMBERING SYSTEM

POSITION

1 2 3 4 5 6 7 8 9 10 11 12 13  
**C 7 3 0 - 1**

T  
 FOR MOUNTING OR FUSEHOLDER ONLY

POSITION 6  
 INSULATION  
 (110KV BIL)

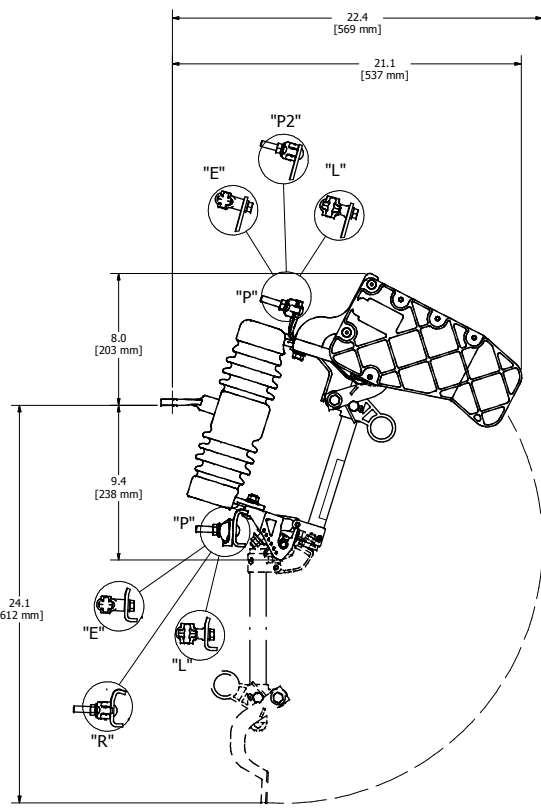
POSITIONS 7 & 8  
 FUSEHOLDER

POSITION 11-13  
 SPECIAL OPTIONS  
 BLANK - NO OPTION  
 D - RATING LABEL  
 M - MECHANICAL ASSIST FUSEHOLDER  
 S - STAINLESS STEEL

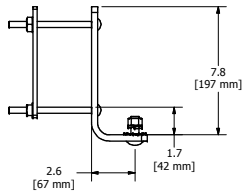
POSITION 10  
 MOUNTING BRACKET  
 BLANK OR Z - NO BRACKET  
 B - NEMA "B" BRACKET  
 C - NEMA "B" BRACKET W/6" BOLTS  
 X - EXTENDED BRACKET  
 D - "D" BRACKET  
 V - EASY-ON BRACKET

POSITION 9  
 TERMINAL OPTIONS  
 P - PG CLAMPS (TIN PLATING)  
 P2 - PG CLAMPS 2 PIECE  
 E - SMALL EYEBOLT TERMINALS  
 L - LARGE EYEBOLT TERMINALS  
 R - ROTATED BOTTOM PG  
 T - FUSEHODLER ONLY (POSITION 10-11 BLANK)

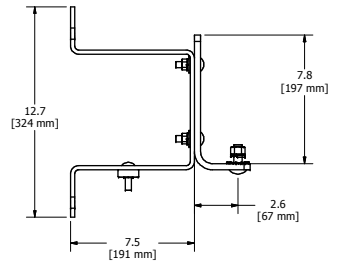
FUSE HOLDER INFORMATION					
POSITIONS 7 & 8	MAX DESIGN KV	RATED AMP	AIC (ASYM)	"L"	ARC ROD
12	15	100	10,000	11.50 (292 MM)	NONE
14	15	100	16,000	11.59 (294 MM)	4.00 IN (102 MM)
43	15	200	12,000	11.59 (294 MM)	3.50 IN (89 MM)
33	15	300	12,000	11.59 (294 MM)	NONE
MM	-	-	-	NO FUSEHOLDER	-



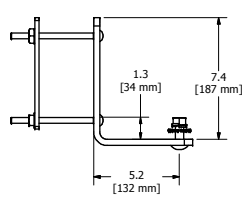
NEMA "B" BRACKET



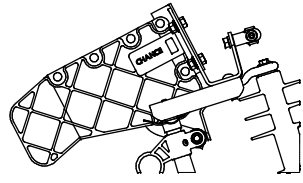
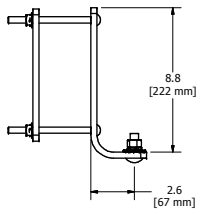
"D" BRACKET



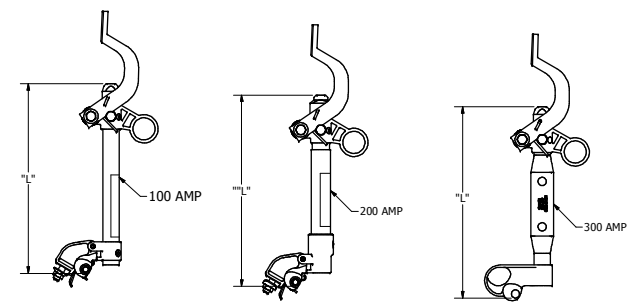
EXTENDED "X" BRACKET



EASY-ON "V" BRACKET



ARC CHUTE DETAIL FOR "E", "L" AND "P2" CUTOUTS SCALE 1 / 4



DIMENSIONS ARE APPROXIMATE AND FOR REFERENCE ONLY

**CONFIDENTIAL**

CHANCE EC 70598 SR DATE: 08-04-17		<b>HUBBELL POWER SYSTEMS</b>	
CONFIDENTIAL: THIS DRAWING AND ITS CONTENTS ARE CONFIDENTIAL AND THE EXCLUSIVE PROPERTY OF HUBBELL POWER SYSTEMS. NO PUBLICATION, DISTRIBUTION OR COPIES MAY BE MADE WITHOUT THE WRITTEN CONSENT OF HUBBELL POWER SYSTEMS. HUBBELL POWER SYSTEMS UNPUBLISHED ALL RIGHTS RESERVED UNDER THE COPYRIGHT LAWS.			
TITLE <b>CUTOUT, LDBK 15 KV, 110 BIL</b>		SIZE SA730-1	REV B
DO NOT SCALE THIS DRAWING	DRN BY COCHRAN	DATE 01-21-15	SHEET 01 OF 01