

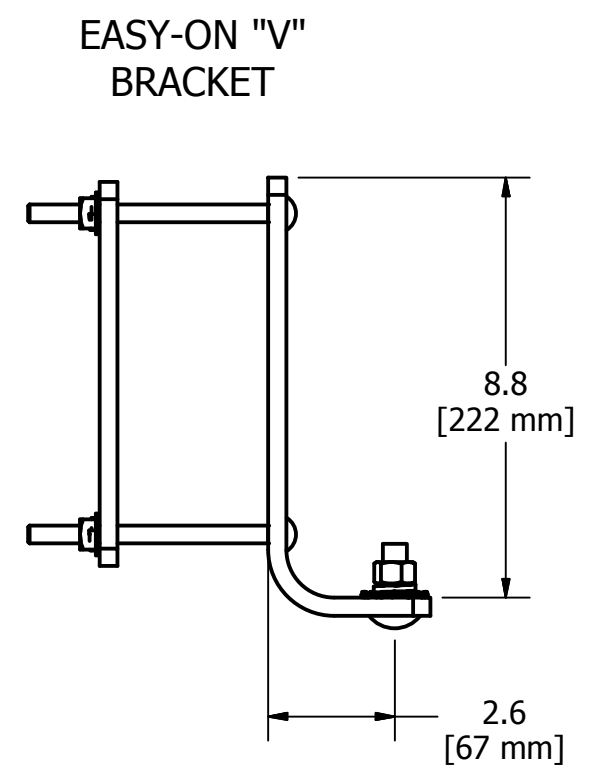
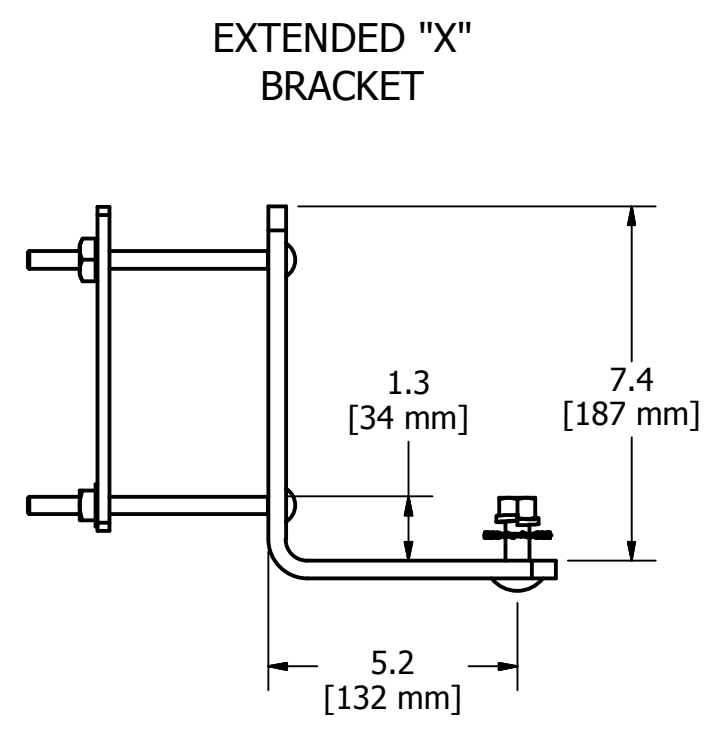
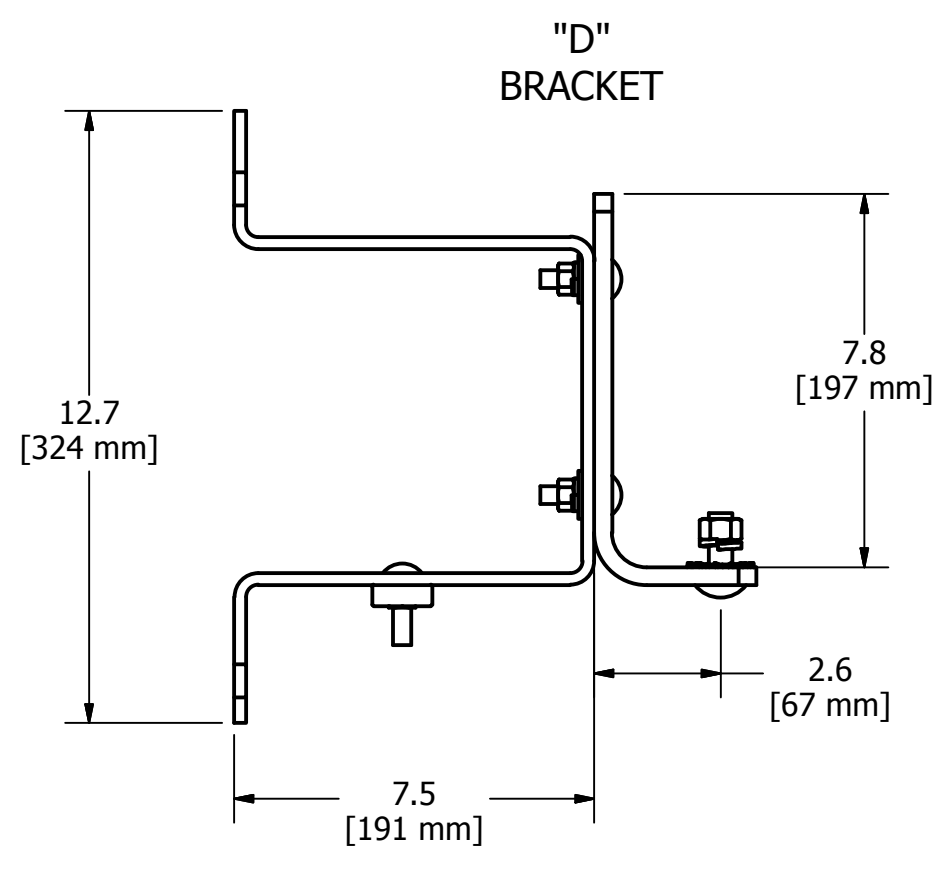
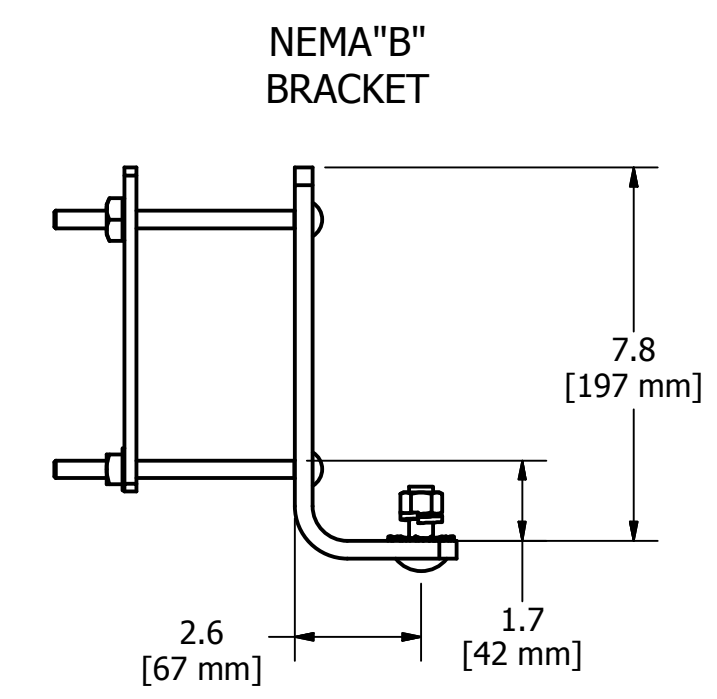
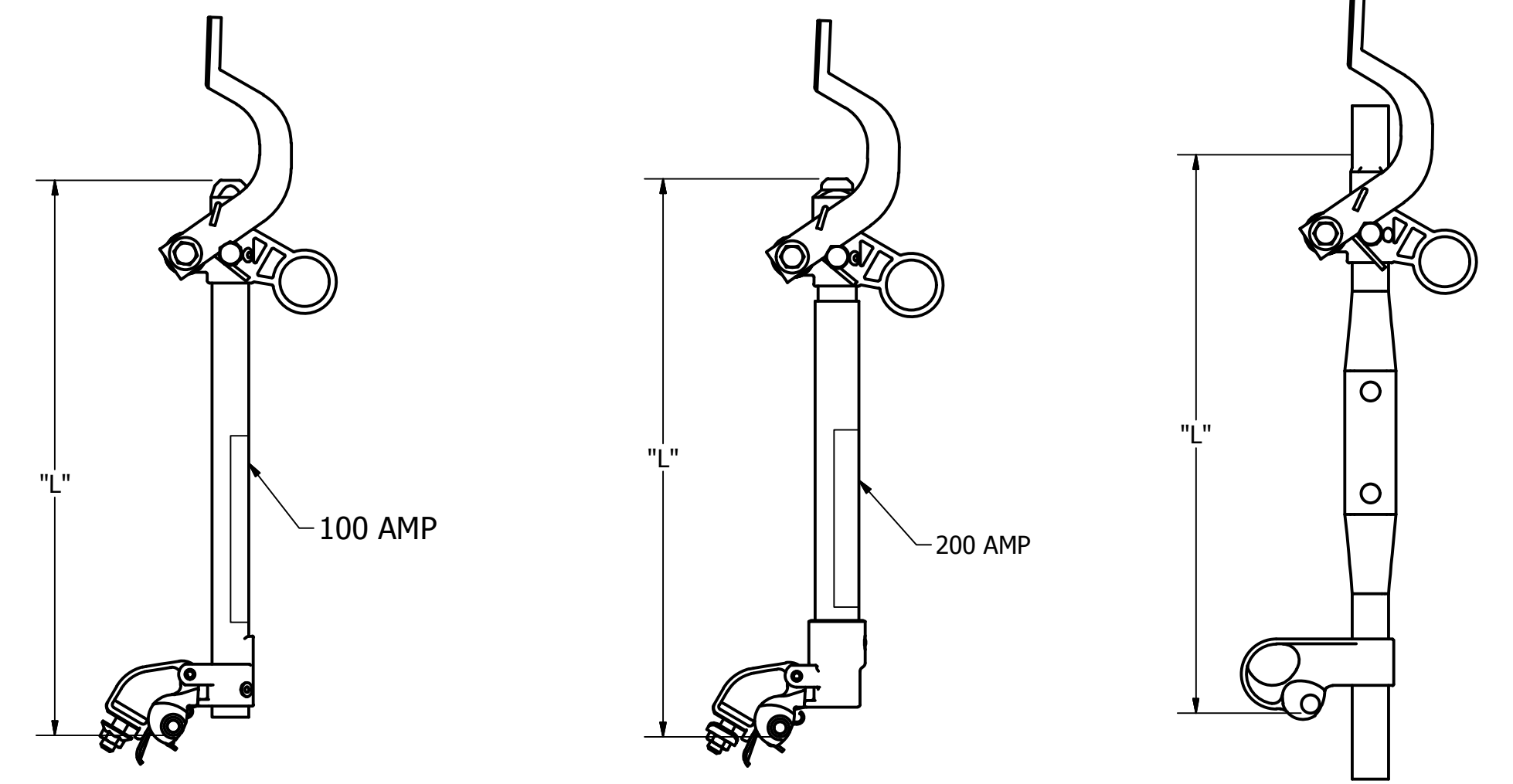
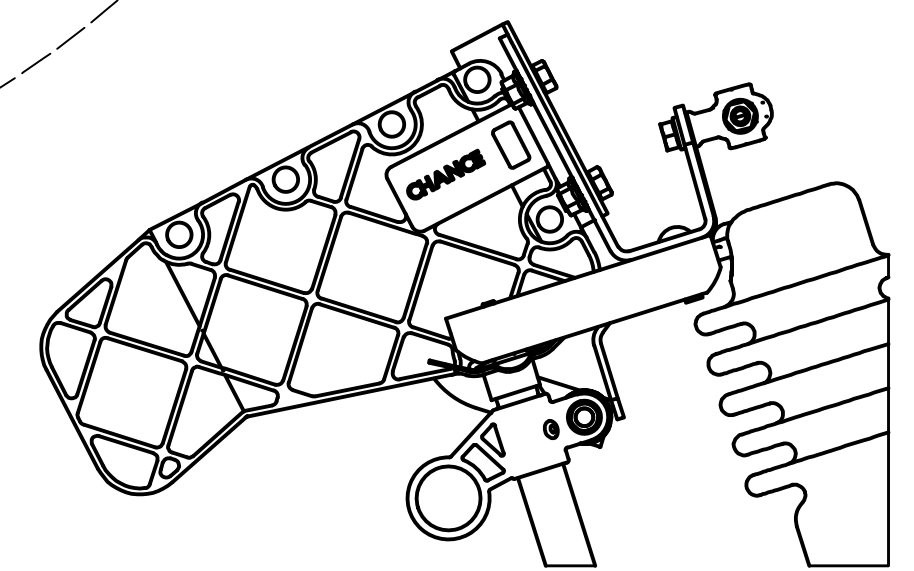
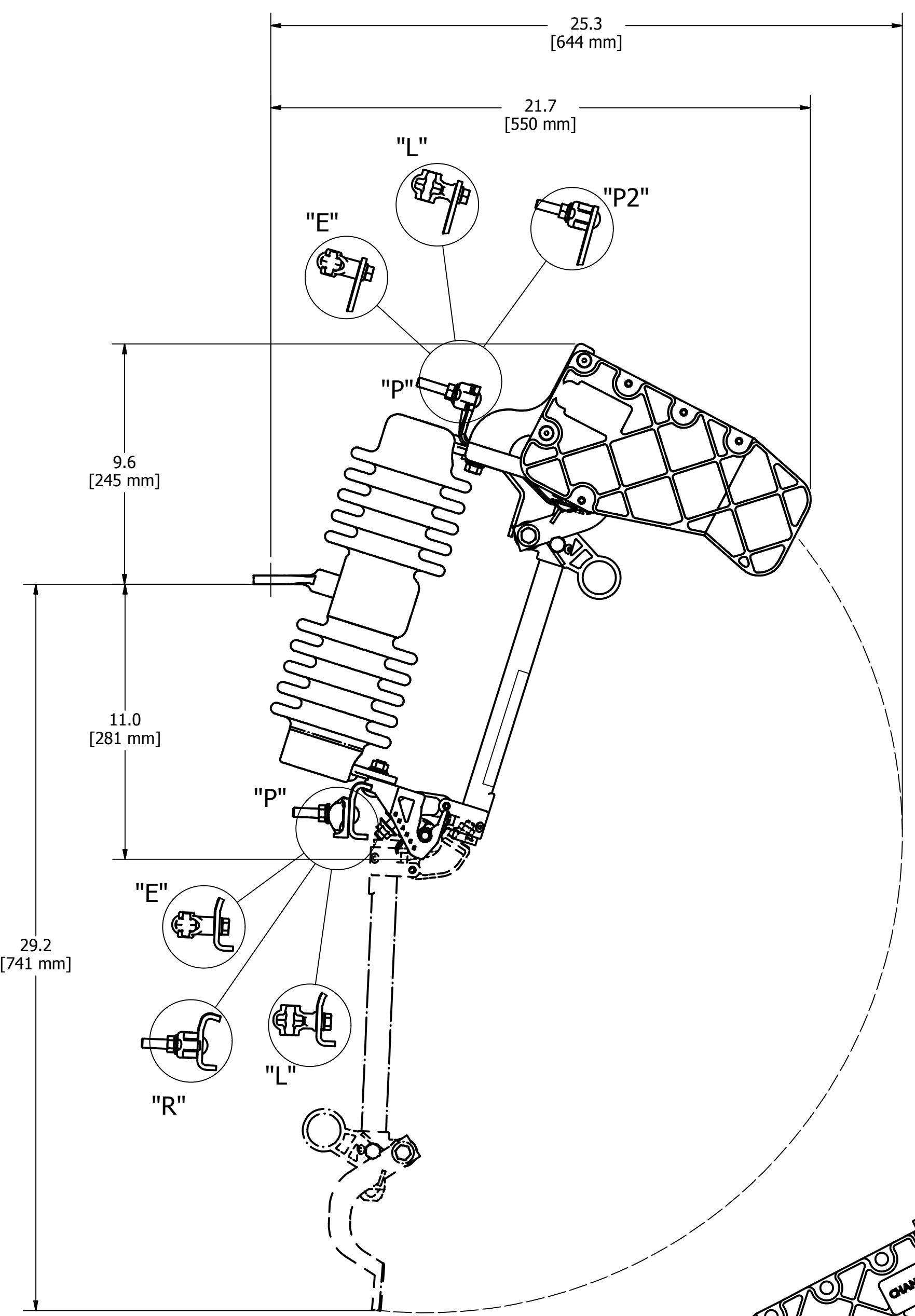
CATALOG NUMBERING SYSTEM

POSITION

1 2 3 4 5 6 7 8 9 10 11 12 13
C 7 3 0 - 3

- T - FOR MOUNTING OR FUSEHOLDER ONLY
- POSITION 6 INSULATION (150KV BIL)
- POSITIONS 7 & 8 FUSEHOLDER
- POSITION 11-13 SPECIAL OPTIONS
 BLANK - NO OPTION
 D - RATING LABEL
 M - MECHANICAL ASSIST FUSEHOLDER
 S - STAINLESS STEEL
- POSITION 10 MOUNTING BRACKET
 BLANK OR Z - NO BRACKET
 B - NEMA "B" BRACKET
 C - NEMA "B" BRACKET W/6" BOLTS
 X - EXTENDED BRACKET
 D - "D" BRACKET
 V - EASY-ON BRACKET
- POSITION 9 TERMINAL OPTIONS
 P - PG CLAMPS (TIN PLATING)
 P2 - PG CLAMPS 2 PIECE
 E - SMALL EYEBOLT TERMINALS
 L - LARGE EYEBOLT TERMINALS
 R - ROTATED BOTTOM PG
 T - FUSEHOLDER ONLY (POSITION 10-11 BLANK)

POSITIONS 7&8	MAX DESIGN KV	RATED AMPS	AIC (ASYM)	"L"	ARC ROD
11	20/34.5	100	8000	14.97 IN (380MM)	NONE
13	20/34.5	100	12000	15.06 IN (383 MM)	4.50 (114MM)
42	15/27	200	10000	15.06 IN (383 MM)	4.50 (114MM)
43	15/27	200	12000	15.06 IN (383 MM)	5.50 (140MM)
33	15/27	300	12000	15.06 IN (383 MM)	NONE
MM	---	---	---	NO FUSEHOLDER	-



DIMENSIONS ARE APPROXIMATE AND FOR REFERANCE ONLY

CONFIDENTIAL

CHANCE EC 75348 EW DATE: 08-13-18			
CONFIDENTIAL: THIS DRAWING AND ITS CONTENTS ARE CONFIDENTIAL AND THE EXCLUSIVE PROPERTY OF HUBBELL POWER SYSTEMS. NO PUBLICATION, DISTRIBUTION OR COPIES MAY BE MADE WITHOUT THE WRITTEN CONSENT OF HUBBELL POWER SYSTEMS. HUBBELL POWER SYSTEMS UNPUBLISHED ALL RIGHTS RESERVED UNDER THE COPYRIGHT LAWS		HUBBELL POWER SYSTEMS CUTOUT, LDBK 20/34.5, KV 150 BIL	
SIZE D	DWG NO. SA730-3	CAT / PART / ASSY NO. SEE CHART	REV C
DO NOT SCALE THIS DRAWING	DRN BY COCHRAN	DATE 01-21-15	SHEET 01 OF 01