

CATALOG NUMBERING SYSTEM

POSITION
1 2 3 4 5 6 7 8 9 10
C 7 3 1

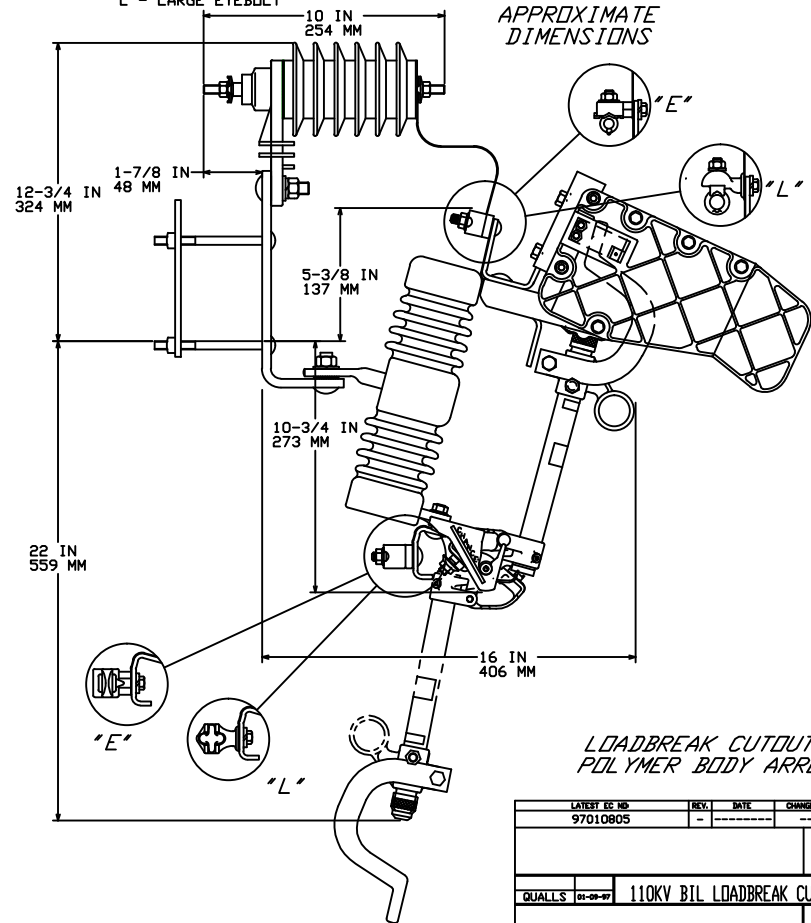
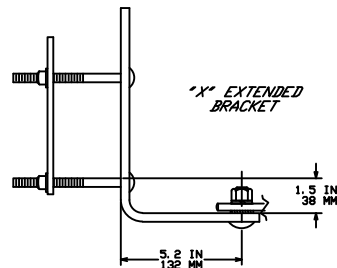
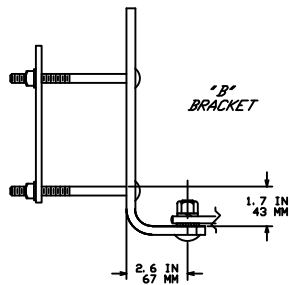
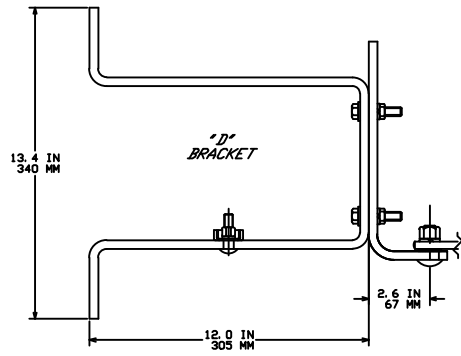
DB = DHD BRASS
MDV = METAL OXIDE VARISTOR

| POLYMER ARRESTER | | | | |
|------------------|-------|------|----|----------|
| BRAND | BLOCK | TYPE | KV | POSITION |
| DB | SMALL | MDV | 9 | DL |
| DB | SMALL | MDV | 10 | DM |
| DB | LARGE | MDV | 9 | EL |
| DB | LARGE | MDV | 10 | EM |
| DB | RISER | MDV | 9 | FL |
| DB | RISER | MDV | 10 | FM |

| POSITION | KV MAX | RATED | ATC |
|----------|--------|-------|---------|
| 7 & 8 | DES. | AMPS | CAS/2ND |
| 12 | 15 | 100 | 10000 |
| 14 | 15 | 100 | 16000 |
| 43 | 15 | 200 | 12000 |
| 33 | 15 | 300 | 12000 |

POSITION 10
MOUNTING BRACKET
B - SIMILAR TO NEMA "B" BRACKET
X - EXTENDED BRACKET
D - "D" BRACKET

POSITION 9
TERMINALS
P - PG CLAMPS
E - SMALL EYEBOLT
L - LARGE EYEBOLT



APPROXIMATE DIMENSIONS

LOADBREAK CUTOUT WITH
POLYMER BODY ARRESTERS

| LATEST EC NO | REV. | DATE | CHANGED BY | RESP. ENGINEER |
|--------------|----------|-------------------------------------|------------|----------------|
| 97010805 | - | ----- | --- | BRDWN |
| DUALLS | 01-09-07 | 110KV BIL LOADBREAK CUTOUT/ARRESTER | | |

SA73DL1