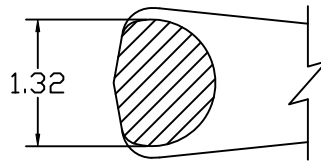
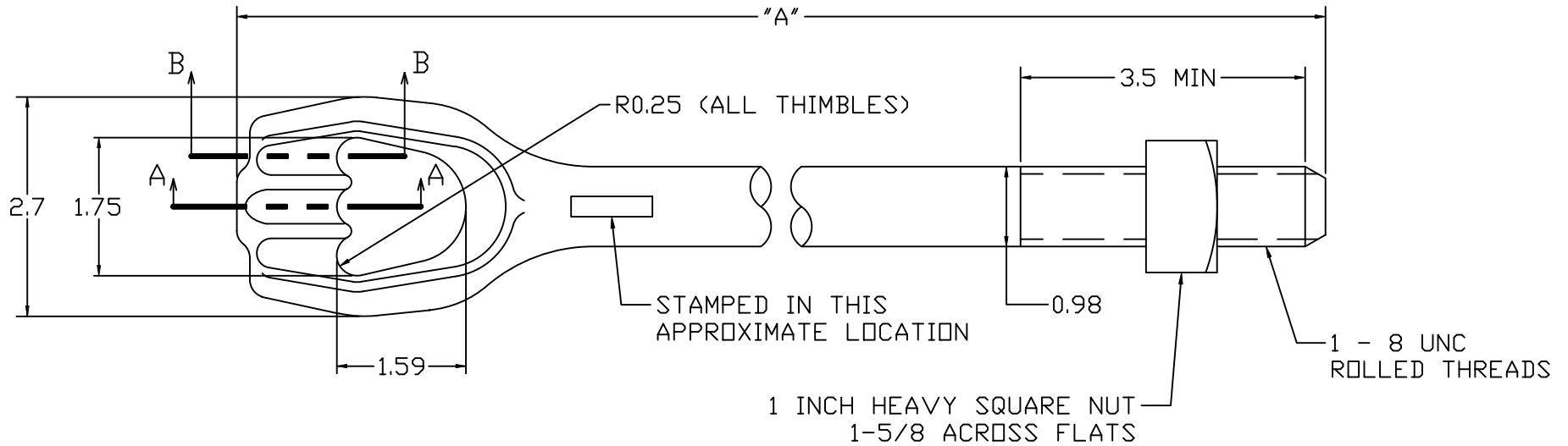


SECTION A-A



SECTION B-B



CATALOG NO.	DESCRIPTION	"A"	STAMP
7568	8 FT TRIPLEYE ROD	96	C-1-8
7570	10 FT TRIPLEYE ROD	120	C-1-10
400261046	10 FT TRIPLEYE ROD, TELECOM	120	C-26M

NOTES:

1. ULTIMATE TENSION CAPACITY RATING: 36,000 LB. FAILURE TO ALIGN ROD WITHIN 5 DEGREES OF GUY LOAD MAY SIGNIFICANTLY REDUCE CAPACITY.
2. ROD MATERIAL: LOW CARBON STEEL.
3. FINISH: HOT-DIP GALVANIZED PER ASTM A153 (LATEST REVISION).
4. ROD STAMPED AS SHOWN IN TABLE.
5. ADD USA SUFFIX TO CATALOG NUMBER FOR BUY AMERICA ITEMS. PURCHASERS OF BUY AMERICA ITEMS WILL BE PROVIDED A DATED CERTIFICATE OF COMPLIANCE TO SPECIFIC BUY AMERICA PROVISIONS IF REQUESTED AT THE TIME OF ORDER. CONTACT HUBBELL POWER SYSTEMS CUSTOMER SERVICE FOR DETAILS.

CHANCE* <small>CONFIDENTIAL: THIS DRAWING AND ITS CONTENTS ARE CONFIDENTIAL AND THE EXCLUSIVE PROPERTY OF HUBBELL POWER SYSTEMS. NO PUBLICATION, DISTRIBUTION OR COPIES MAY BE MADE WITHOUT THE WRITTEN CONSENT OF HUBBELL POWER SYSTEMS. HUBBELL POWER SYSTEMS UNPUBLISHED ALL RIGHTS RESERVED UNDER THE COPYRIGHT LAWS.</small>	HUBBELL POWER SYSTEMS		
	TITLE 1" TRIPLEYE ROD AND NUT		
SIZE C	DWG NO. SA7568	CAT / PART / ASSY NO. SEE TABLE	REV C
DO NOT SCALE THIS DRAWING	DRN BY GVI	DATE 4/27/22	SHEET 01 OF 01