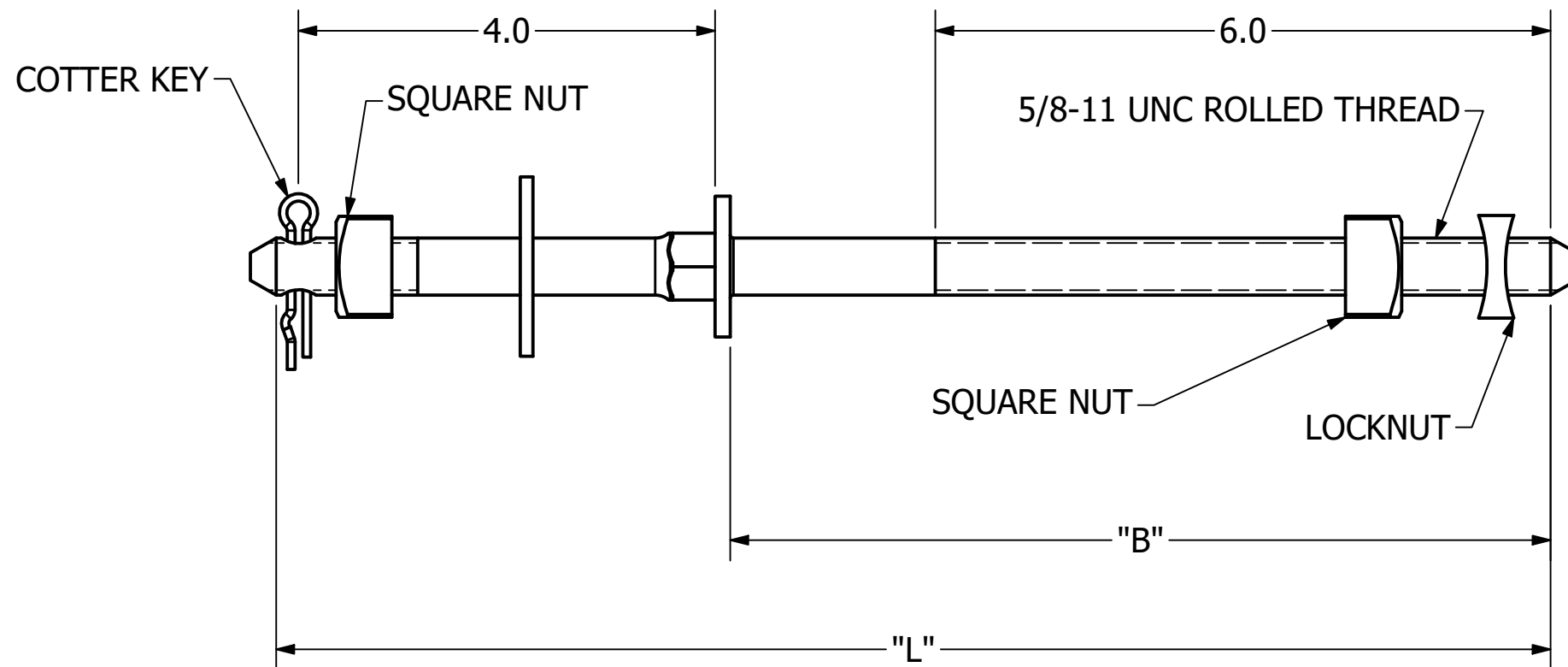
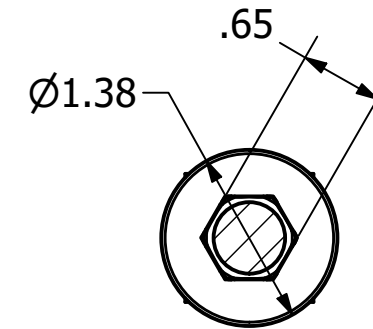


SINGLE UPSET SPOOL BOLT



- NOTES-
1. MATERIAL: HOT ROLLED STEEL.
 2. HOT DIP GALVANIZED PER ASTM A153 (LATEST REVISION).
 3. ALL DIMENSIONS IN INCHES.

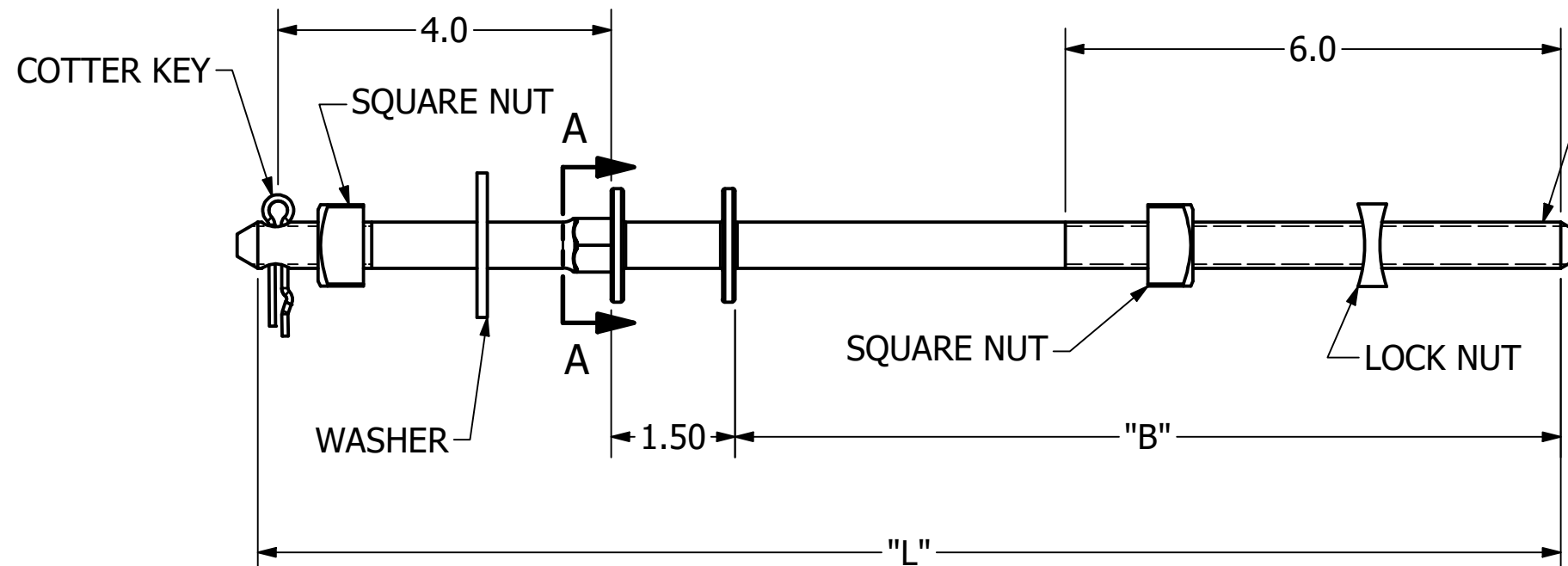


SECTION A
APPLIES TO BOTH

SINGLE UPSET SPOOL BOLTS

| CATALOG NUMBER | "B" | "L" |
|----------------|-------|-------|
| 7741 | 8.00 | 12.50 |
| 774112 | 9.00 | 13.50 |
| 7742 | 10.00 | 14.50 |
| 7743 | 12.00 | 16.50 |
| 7744 | 14.00 | 18.50 |
| PS7745 | 16.00 | 20.50 |
| PS7746 | 18.00 | 22.50 |
| PS7747 | 20.00 | 24.50 |

DOUBLE UPSET SPOOL BOLT



5/8-11 UNC ROLLED THREAD

DOUBLE UPSET SPOOL BOLTS

| CATALOG NUMBER | "B" | "L" |
|----------------|-------|-------|
| 7826 | 8.00 | 13.75 |
| 7828 | 9.00 | 14.75 |
| 7830 | 10.00 | 15.75 |
| 7832 | 12.00 | 17.75 |
| 7834 | 14.00 | 19.75 |
| PS7836 | 16.00 | 21.75 |
| PS7840 | 20.00 | 25.75 |

CHANCE®



HUBBELL POWER SYSTEMS, INC.

CONFIDENTIAL: THIS DRAWING AND ITS CONTENTS ARE CONFIDENTIAL AND THE EXCLUSIVE PROPERTY OF HUBBELL POWER SYSTEMS. NO PUBLICATION, DISTRIBUTION, OR COPIES MAY BE MADE WITHOUT THE WRITTEN CONSENT OF HUBBELL POWER SYSTEMS. HUBBELL POWER SYSTEMS UNPUBLISHED ALL RIGHTS RESERVED UNDER THE COPYRIGHT LAWS.

| TITLE | | | |
|--|-----------------------|-------------|--------------|
| UPSET SPOOL BOLTS SINGLE AND DOUBLE | | | |
| SIZE | CAT / PART / ASSY NO. | DWG NO. | REV |
| B | SEE CHARTS | SA7740 | E |
| DO NOT SCALE THIS DRAWING | DRN BY TOLIVER | DATE 1/5/22 | SHEET 1 OF 1 |