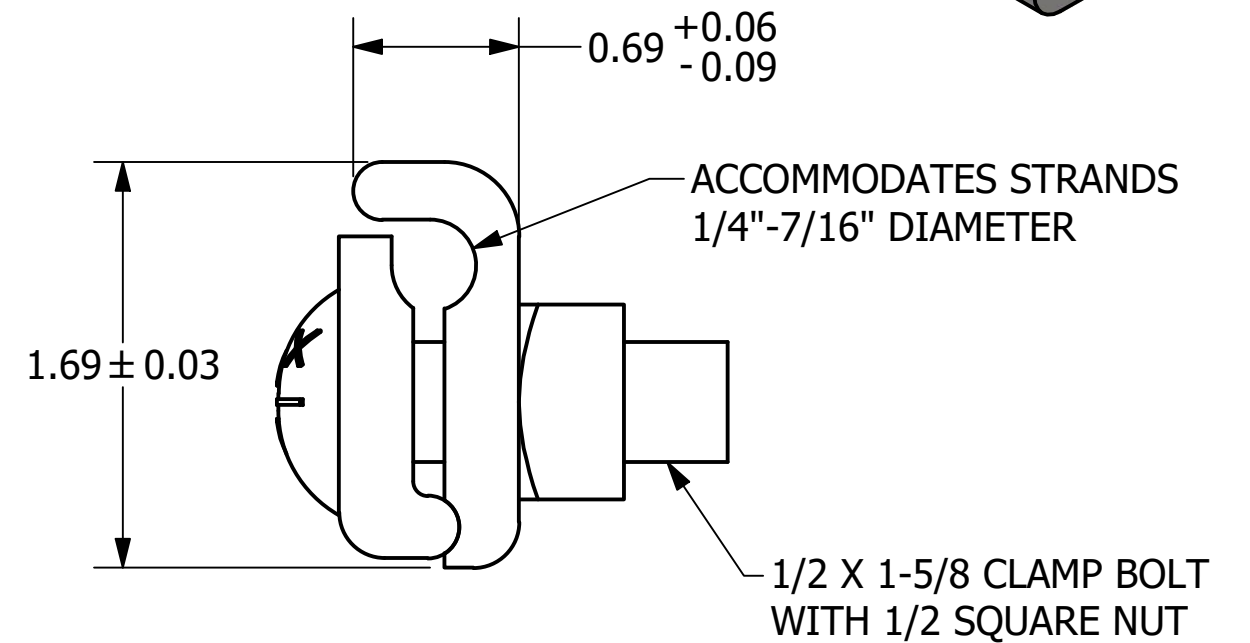
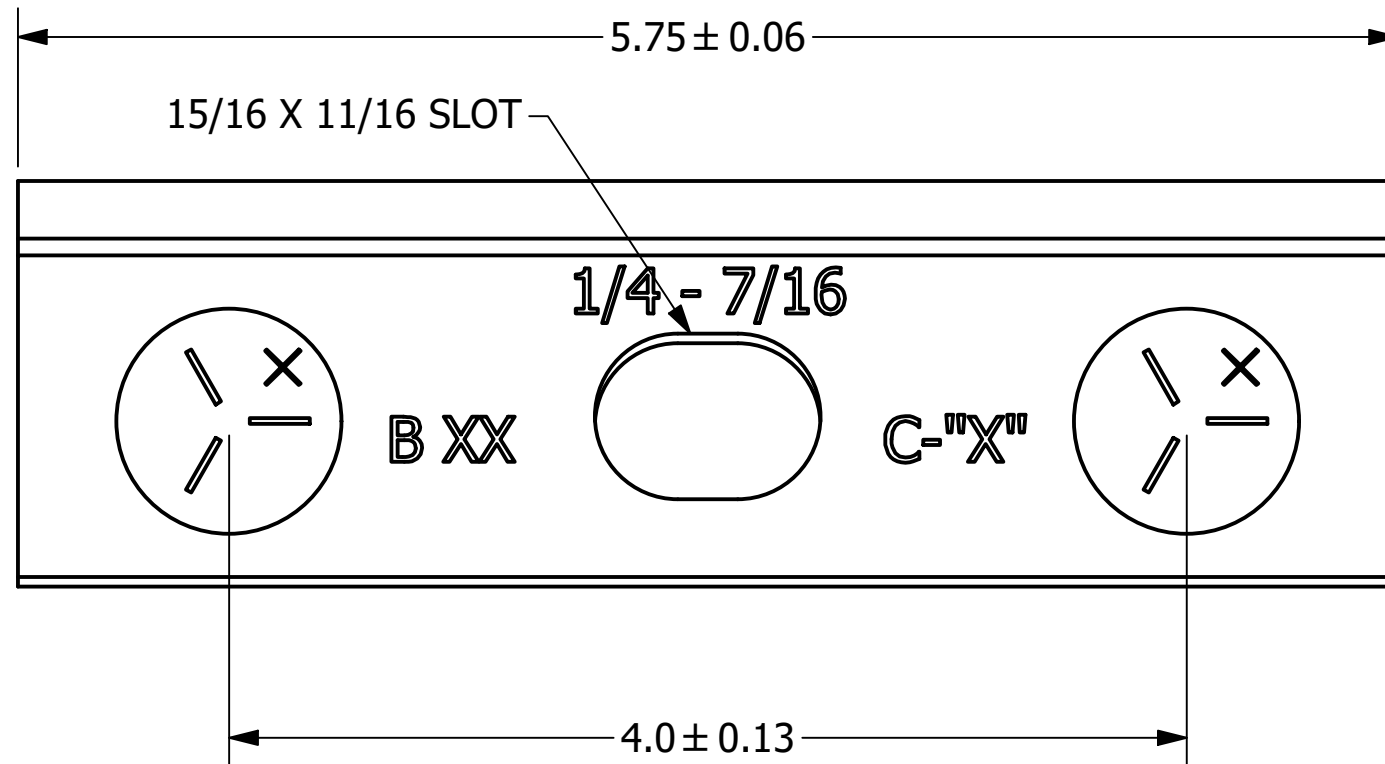
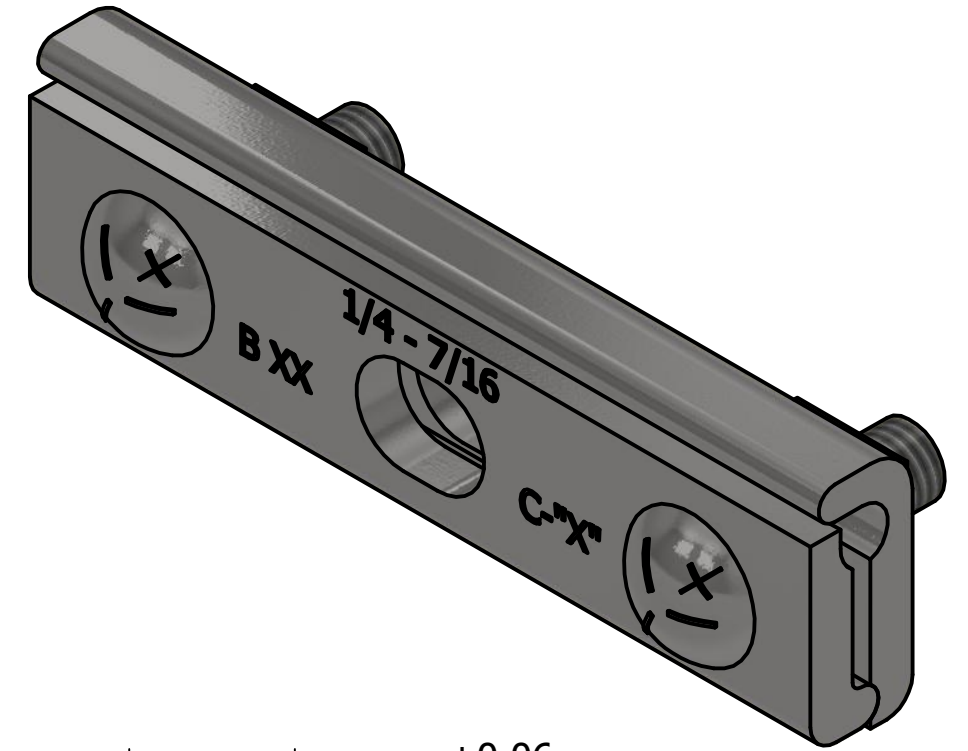


-NOTES-

1. MATERIAL: HOT ROLLED STEEL, GALVANIZED PER ASTM A153.
2. VISIBLY MARKED WITH CHANCE LOGO AND STRAND SIZE.
3. MEETS CAO 8623 SPECIFICATIONS.



CATALOG NUMBERS: 7903 & 400762282

<b>CHANCE</b> ®		<b>HUBBELL</b> ® POWER SYSTEMS, INC.		<b>HUBBELL POWER SYSTEMS, INC.</b>	
CONFIDENTIAL: THIS DRAWING AND ITS CONTENTS ARE CONFIDENTIAL AND THE EXCLUSIVE PROPERTY OF HUBBELL POWER SYSTEMS. NO PUBLICATION, DISTRIBUTION, OR COPIES MAY BE MADE WITHOUT THE WRITTEN CONSENT OF HUBBELL POWER SYSTEMS. HUBBELL POWER SYSTEMS UNPUBLISHED ALL RIGHTS RESERVED UNDER THE COPYRIGHT LAWS.		TITLE <b>CABLE SUSPENSION CLAMP</b>			
SIZE <b>B</b>	CAT / PART / ASSY NO. <b>7903</b>	DWG NO. <b>SA7903</b>	REV <b>A</b>		
DO NOT SCALE THIS DRAWING	DRN BY HOEK	DATE 1/17/20	SHEET 1 OF 1		