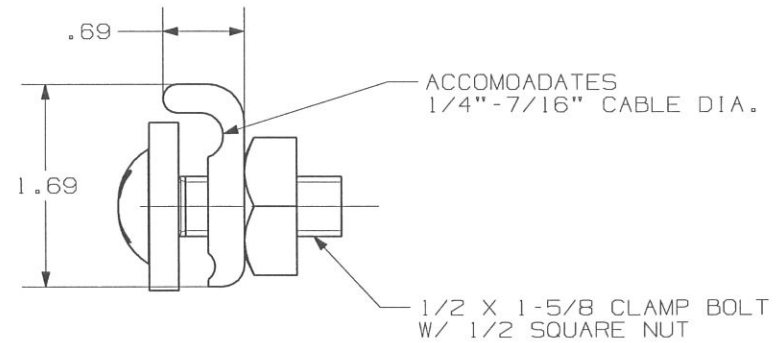
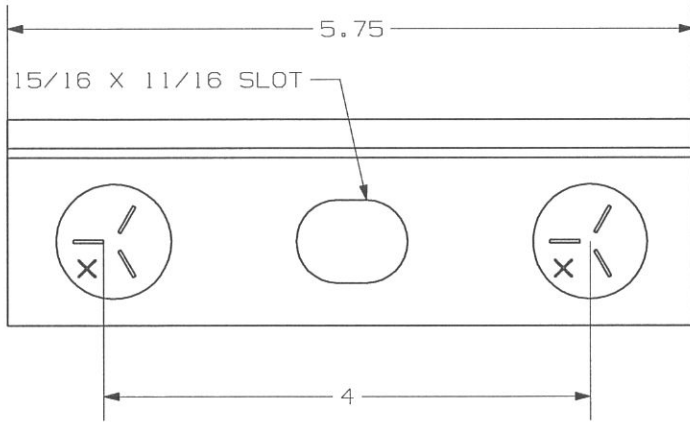
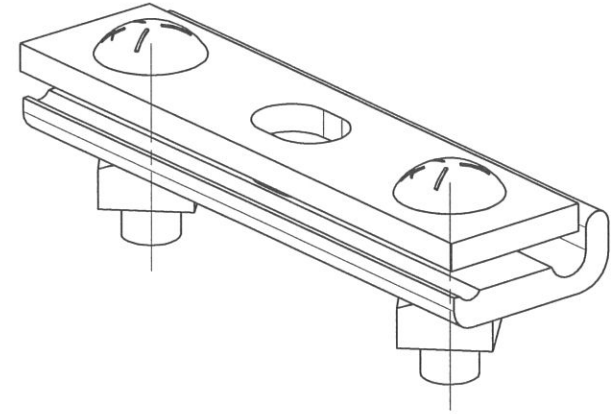


-NOTES-

1. MATERIAL: HOT ROLLED STEEL PER TT-170
2. HOT DIP GALVANIZE PER ASTM A153 (LATEST REVISION).
3. CHANCE LOGO AND STRAND SIZE PERMANENTLY VISIBLE AFTER GALVANIZING



CATALOG NUMBER: 7903L

LATEST EC NO:	REV.	DATE	CHANGED BY	RESP ENGINEER
46770	-	-----	---	---
			DO NOT SCALE THIS DWG	THIRD ANGLE PROJECTION 1:50 DUAL DIMENSIONS IN=INCH, MM=MILLIMETER
DRN BY:	DATE	TITLE:		SIZE
BERGER	08-10-12	CABLE SUSPENSION CLAMP		B
			DWG NO:	SA7903L

CONFIDENTIAL: THIS DRAWING AND ITS CONTENTS ARE CONFIDENTIAL AND THE EXCLUSIVE PROPERTY OF HUBBELL / A.B. CHANCE COMPANY. NO PUBLICATION, DISTRIBUTION OR COPIES MAY BE MADE WITHOUT WRITTEN CONSENT BY HUBBELL / A.B. CHANCE COMPANY. © 2001 HUBBELL/A.B. CHANCE. UNPUBLISHED - ALL RIGHTS RESERVED UNDER THE COPYRIGHT LAWS