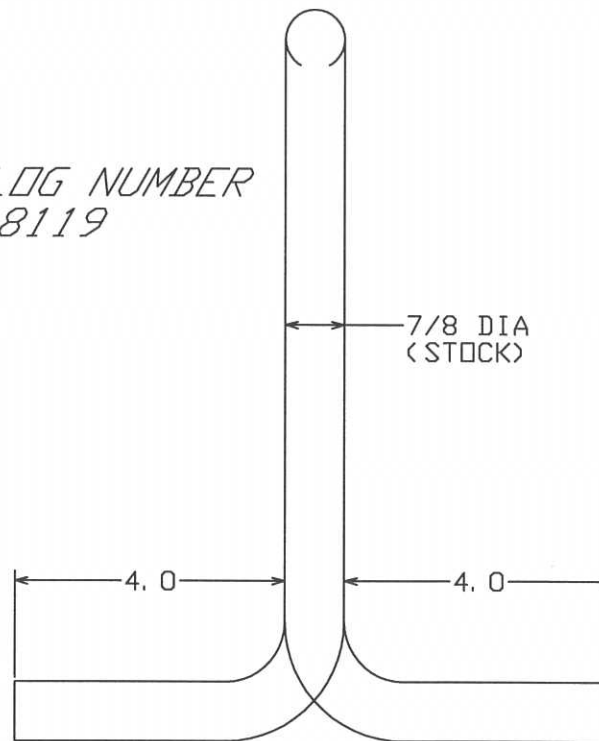



CATALOG NUMBER
8119



=NOTE=

1. MATERIAL: STEEL HOT DIP GALV. PER ASTM A153 (LATEST REV.).

CHANCE TOLERANCE CHART		 HUBBELL POWER SYSTEMS	
<small>CONFIDENTIAL: THIS DRAWING AND ITS CONTENTS ARE CONFIDENTIAL AND THE EXCLUSIVE PROPERTY OF HUBBELL POWER SYSTEMS. NO PUBLICATION, DISTRIBUTION OR COPIES MAY BE MADE WITHOUT THE WRITTEN CONSENT OF HUBBELL POWER SYSTEMS. HUBBELL POWER SYSTEMS UNPUBLISHED ALL RIGHTS RESERVED UNDER THE COPYRIGHT LAWS.</small>		TITLE PULLING-IN IRON	
SIZE	DWG NO.	CAT / PART / ASSY NO.	REV
SB	SA8119	8119	A
DO NOT SCALE THIS DRAWING	DRN BY JONES	DATE 01/31/91	SHEET 01 OF 01