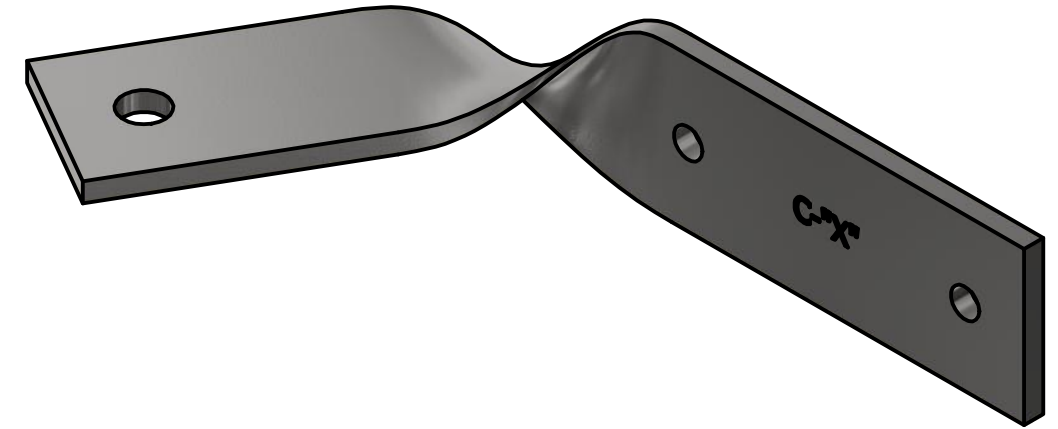
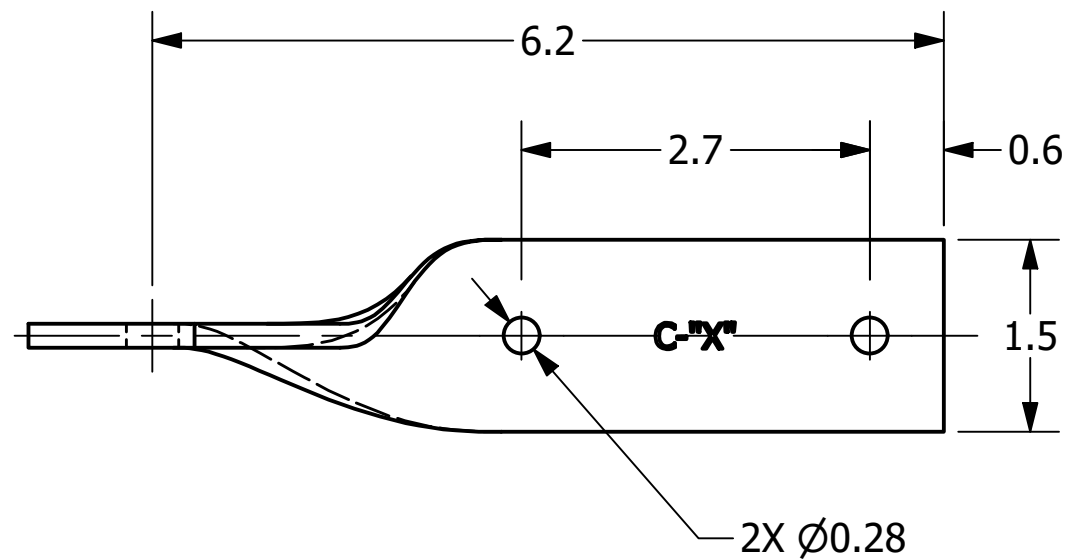
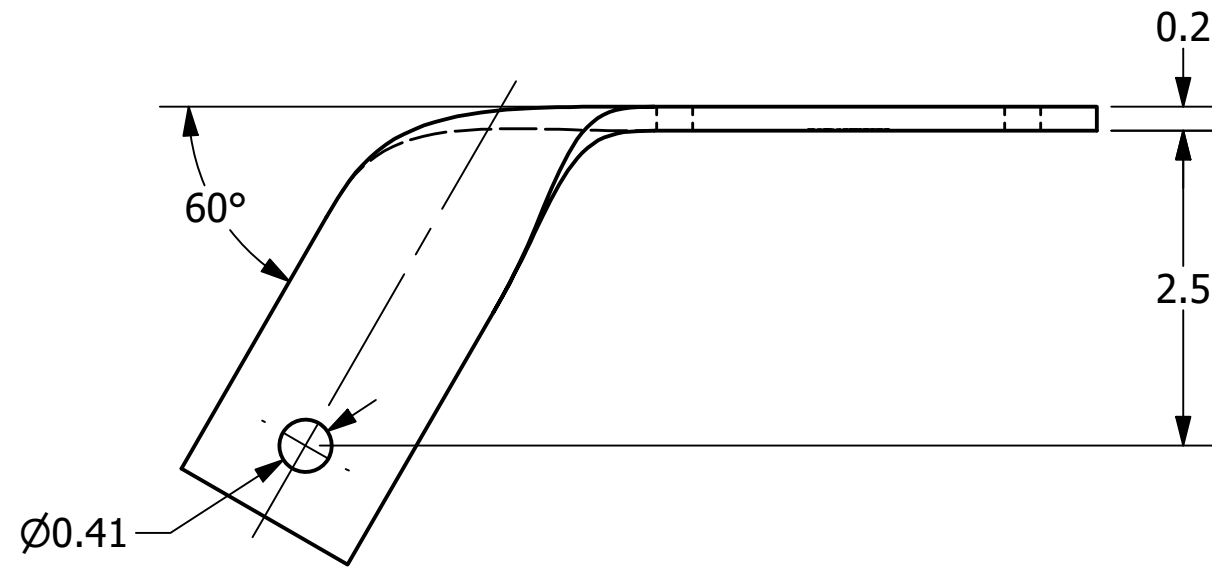



-NOTES-

1. MATERIAL: STEEL, GALVANIZED PER ASTM A153



CATALOG NUMBER	DESCRIPTION
8205	TELEPHONE CORNER BRACKET
400017836	TELEPHONE CORNER BRACKET

CHANCE [®]	 HUBBELL [®] POWER SYSTEMS, INC.	HUBBELL POWER SYSTEMS, INC.	
	TITLE CORNER BRACKET TELEPHONE		
CONFIDENTIAL: THIS DRAWING AND ITS CONTENTS ARE CONFIDENTIAL AND THE EXCLUSIVE PROPERTY OF HUBBELL POWER SYSTEMS. NO PUBLICATION, DISTRIBUTION, OR COPIES MAY BE MADE WITHOUT THE WRITTEN CONSENT OF HUBBELL POWER SYSTEMS. HUBBELL POWER SYSTEMS UNPUBLISHED ALL RIGHTS RESERVED UNDER THE COPYRIGHT LAWS.	SIZE B	CAT / PART / ASSY NO. SEE CHART	DWG NO. SA8205
	DO NOT SCALE THIS DRAWING	DRN BY HOEK	DATE 10/19/21
			REV B
			SHEET 1 OF 1