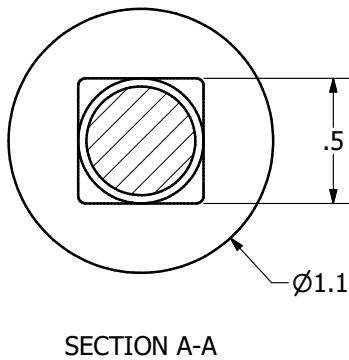


- NOTES-
1. MATERIAL: HOT ROLLED STEEL PER AISI C1020-1025.
  2. FINISH: HOT DIP GALVANIZED PER ASTM A153 (LATEST REVISION).
  3. DIMENSIONS PER ANSI/ASME B18.5 UNLESS OTHERWISE NOTED.



| CATALOG NUMBER | "A"   | "B" |
|----------------|-------|-----|
| 400012589      | 4 3/4 | 3   |
| 8645           | 5     | 3   |
| 864512         | 5 1/2 | 3   |
| 8646           | 6     | 3   |
| 8647           | 7     | 4   |

|   |  |  |   |
|---|--|--|---|
| <p style="font-size: 24pt; font-weight: bold; margin: 0;">CHANCE®</p> <p style="font-size: 8pt; margin: 0;">CONFIDENTIAL: THIS DRAWING AND ITS CONTENTS ARE CONFIDENTIAL AND THE EXCLUSIVE PROPERTY OF HUBBELL POWER SYSTEMS. NO PUBLICATION, DISTRIBUTION, OR COPIES MAY BE MADE WITHOUT THE WRITTEN CONSENT OF HUBBELL POWER SYSTEMS, HUBBELL POWER SYSTEMS UNPUBLISHED ALL RIGHTS RESERVED UNDER THE COPYRIGHT LAWS.</p> | <p style="margin: 0; font-weight: bold;">HUBBELL POWER SYSTEMS, INC.</p>   |  |   |
|   | <p style="margin: 0;">TITLE</p> <p style="font-size: 18pt; font-weight: bold; margin: 0;">1/2" CARRIAGE BOLT</p> |  |   |
| <p>DO NOT SCALE THIS DRAWING</p>  | <p>SIZE <b>B</b></p> <p>CAT / PART / ASSY NO. <b>SEE CHART</b></p> <p>DRN BY HOEK</p>                            | <p>DWG NO. <b>SA8645</b></p> <p>DATE 2/21/19</p> | <p>REV <b>A</b></p> <p>SHEET 1 OF 1</p> |