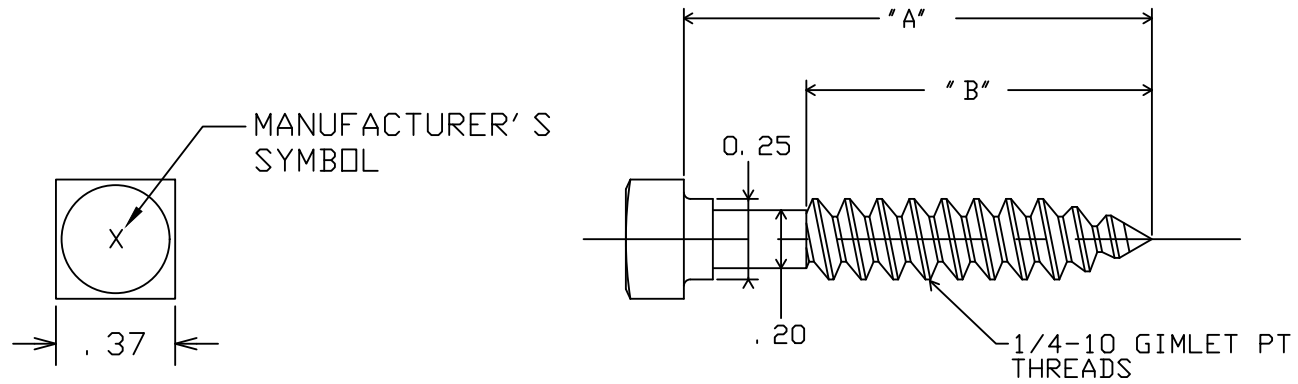


-NOTES-

1. HOT DIP GALVANIZE PER ASTM A153 (LATEST REVISION).



CAT. NO.	" A "	" B "
872112GP	1 1/2	1 1/8
8722GP	2	1 1/2
872212GP	2 1/2	1 3/4

CHANCE TOLERANCE CHART		HUBBELL POWER SYSTEMS	
CONFIDENTIAL: THIS DRAWING AND ITS CONTENTS ARE CONFIDENTIAL AND THE EXCLUSIVE PROPERTY OF HUBBELL POWER SYSTEMS. NO PUBLICATION, DISTRIBUTION OR COPIES MAY BE MADE WITHOUT THE WRITTEN CONSENT OF HUBBELL POWER SYSTEMS. HUBBELL POWER SYSTEMS UNPUBLISHED. ALL RIGHTS RESERVED UNDER THE COPYRIGHT LAWS.		TITLE LAG SCREW (GIMLET POINT)	
SIZE SB SA8722GP	DWG NO. SEE CHART	CAT / PART / ASSY NO. SEE CHART	REV B
DO NOT SCALE THIS DRAWING	DRN BY WILSON	DATE 03/01/11	SHEET 1 OF 1